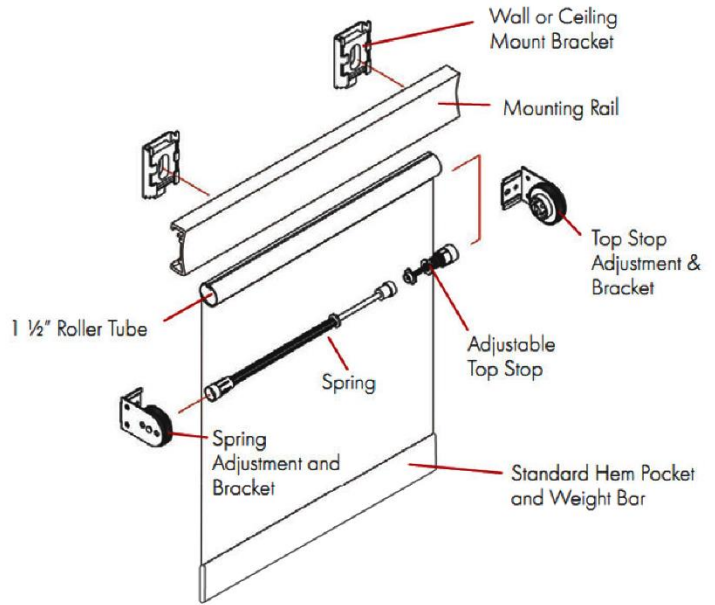
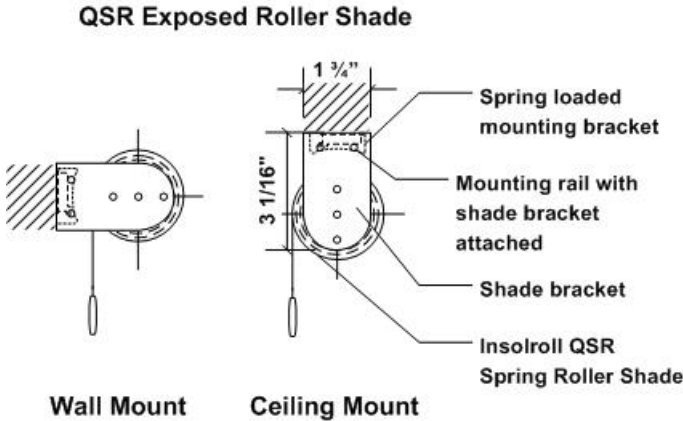




Insolroll QSR Spring Operated Shade Installation Instructions

All Quiet Spring Roller (QSR) Shades come with an adjustable stop system and are shipped fully assembled. **Mounting screws are not provided.** (#6 x 1 1/2" panhead screw will work for most installations. The type and size of screw required will vary depending upon the mounting surface).



1.0 Exposed Roller Shade Installation

1.1 Determine Mounting Position.

The mounting brackets and mounting rail are universal. The shade can be installed as surface or ceiling mount. The mounting brackets should be located at least 2 inches from each end of the mounting rail. Additional mounting brackets are supplied on wider units and should be centered between the outer brackets.

1.2 Attach Brackets.

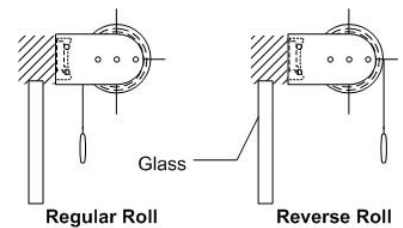
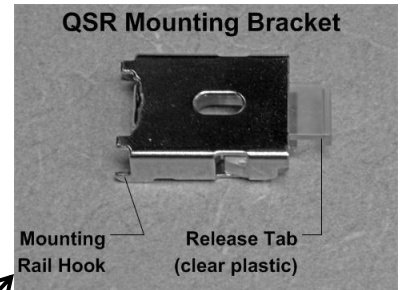
For surface mount, mounting brackets should be installed with the clear release tab facing down to allow for easy removal of the shade. For ceiling mount, the clear release tab should be facing forward.

1.3 Install Shade.

For surface mount, hook the top of mounting rail over the mounting rail hook. Rotate mounting rail down toward surface and pull down on rail until it clicks into mounting bracket. On ceiling mount, hook back of mounting rail over mounting rail hook, rotate up, and pull forward until it clicks into mounting bracket. To remove shade, push release tab in toward the brackets then rotate mounting rail out and off the brackets. Shade can be installed as regular roll with shade rolling off the back closer to the window or reverse roll with shade rolling off on room side of roller.

1.4 Adjust Tension.

Spring tension adjustment is on left hand side for regular roll shade (right hand side for reverse roll). To adjust tension after installation, rotate spring adjustment on left hand side of shade. Hold the shade and rotate front side of adjustment wheel down for additional tension or up for less tension. This adjusts the speed of the shade while rolling up.





Insolroll QSR Spring Operated Shade Installation Instructions

1.5 Adjust Top Stop.

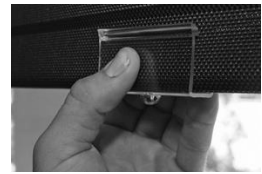
Top stop adjustment is set at the factory. To adjust the top stop for a regular roll shade either rotate the right wheel up or down to achieve desired position. To adjust the top stop for a reverse roll shade, either rotate the left wheel up or down to achieve desired position. Don't restrict the shade from turning while adjusting the wheel. Set the top stop so the hem bar hangs down below shade.

1.6 Test Shade Operation.

Run shade up & down several times to ensure that proper tension and stops have been set.

2.0 Optional Plastic Handle for Pocket Hembar

Slide clear plastic handle over hem bar at desired location on left, center, or right side of the shade.

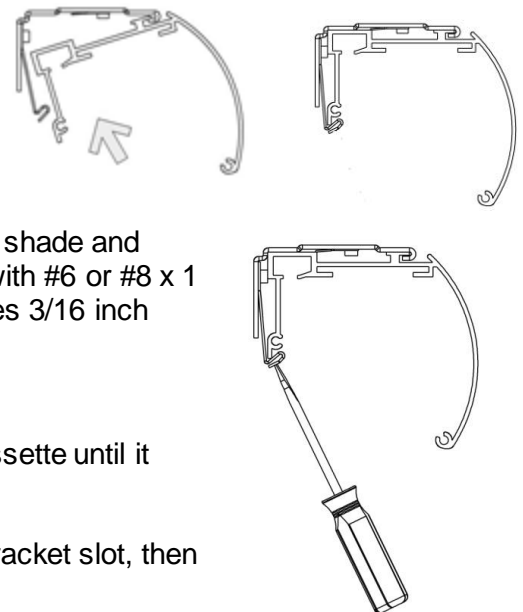


3.0 Optional 3" or 4" Cassette Installation

3.1 Determine Mounting Location.

Cassette system is shipped assembled and utilizes universal mounting brackets that can be mounted for either surface or ceiling mount.

Locate the mounting brackets within an inch or two from each end of shade and evenly space intermediate brackets on wider units. Attach brackets with #6 or #8 x 1 1/2" pan head or hex head screw (not provided). Note that factory takes 3/16 inch deduction for inside mount.



3.2 Snap the Cassette into Mounting Brackets.

Hook the top front of cassette into bracket and then swing up the cassette until it snaps into bracket.

To remove the cassette, insert flat head screwdriver into mounting bracket slot, then push back to release the cassette.

3.3 Adjustments

Cassettes are only fabricated in a regular roll configuration so ignore reverse roll instructions for tension and top stop adjustments.

3.3.1 Adjust shade tension.

Refer to step 1.4.

3.3.2 Adjust top stop.

Refer to step 1.5.