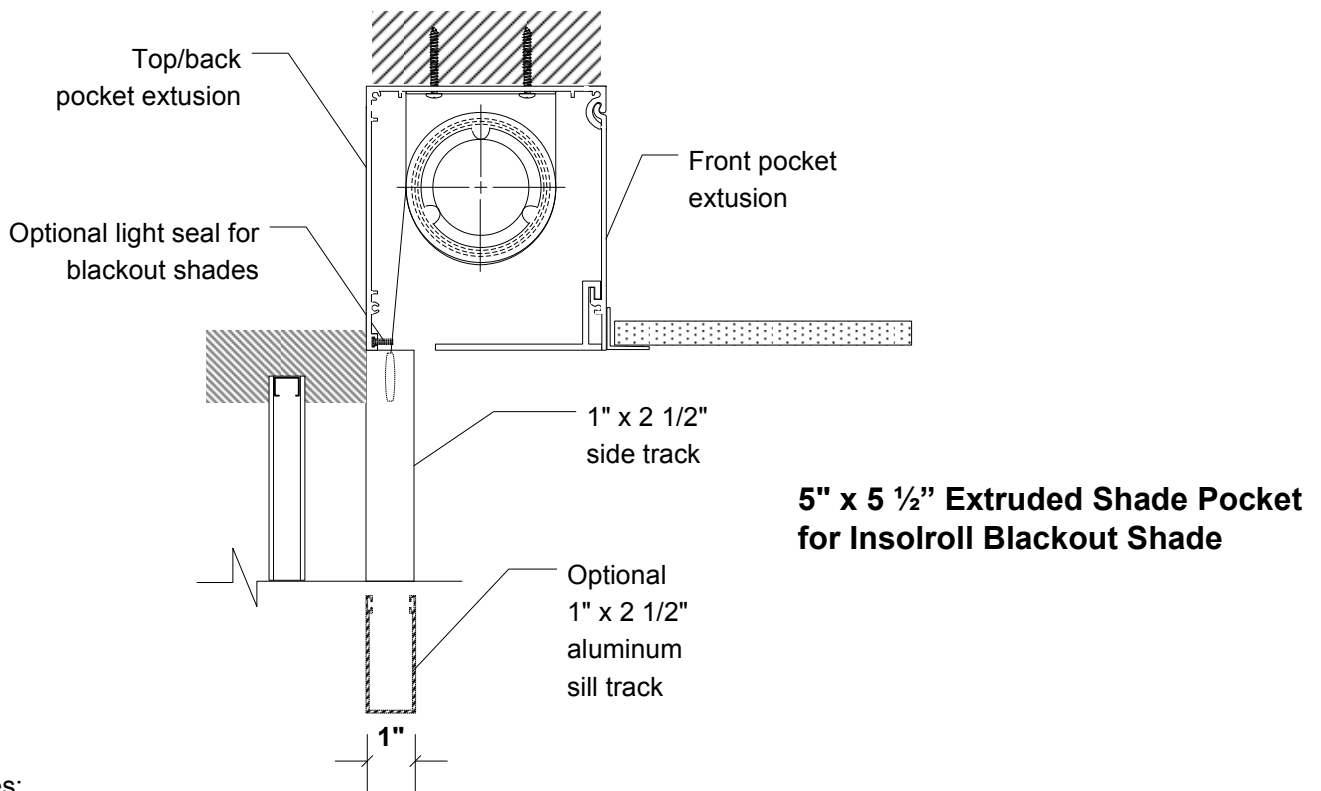
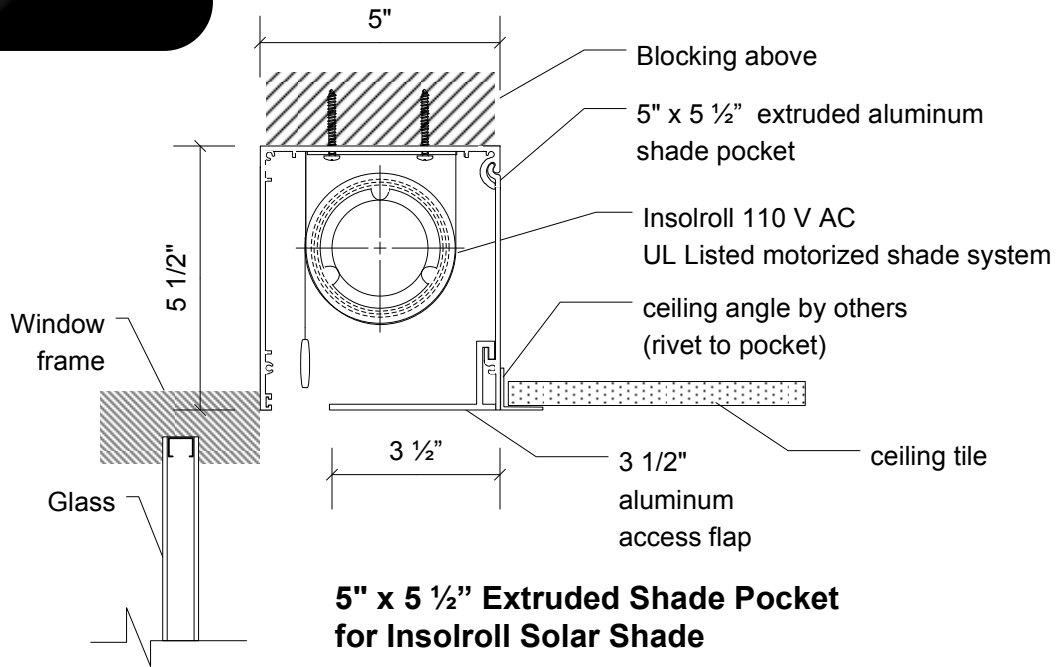




INSOLROLL INTERIOR MOTORIZED SHADE

110 V AC Motor in Shade Pocket (UL Listed System)



Notes:

1. 5" x 5 1/2" pocket is 3 piece interlocking extrusions that require attachment of aluminum end caps.
2. Shade Roll Diameter varies depending upon shade height and fabric and roller tube specified.
3. Insolroll Shades with 110 V AC Motors (IUQ-AC, IUQ-ACR, IUQ-485-AC, IQM-AC, IQM-ACR, IQM-485-AC) are complete UL Listed shade systems with a 10' SJT rated pigtail and include a UL Listed label on roller tube.