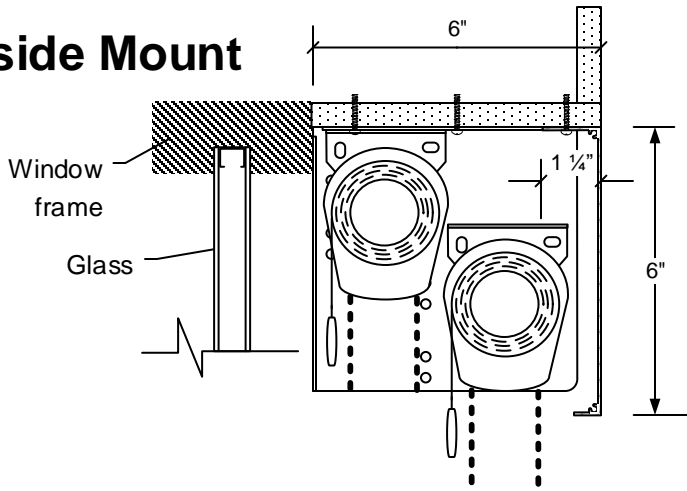




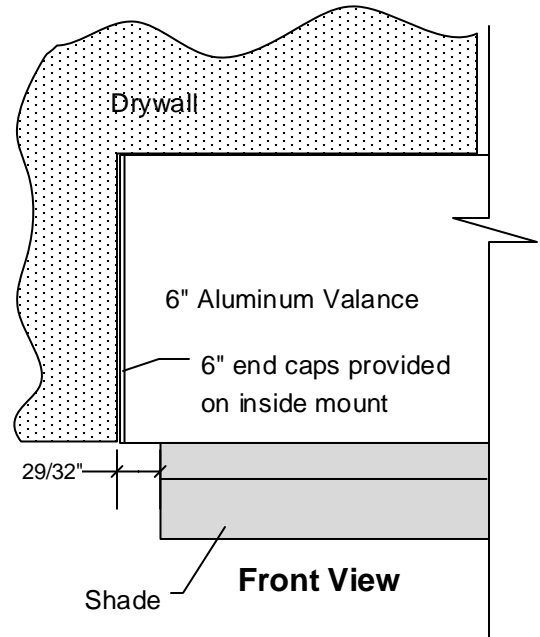
# INSOLROLL DUAL ROLLER SHADES

## 6" Valance with Clutch and Small Motor Operators

### Inside Mount

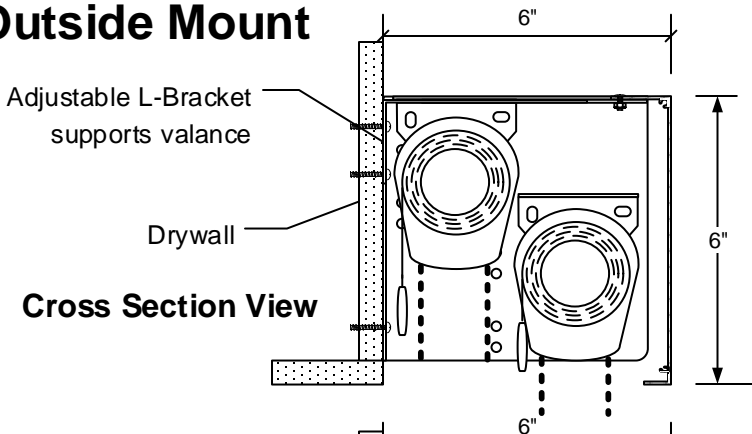


**Cross Section View**

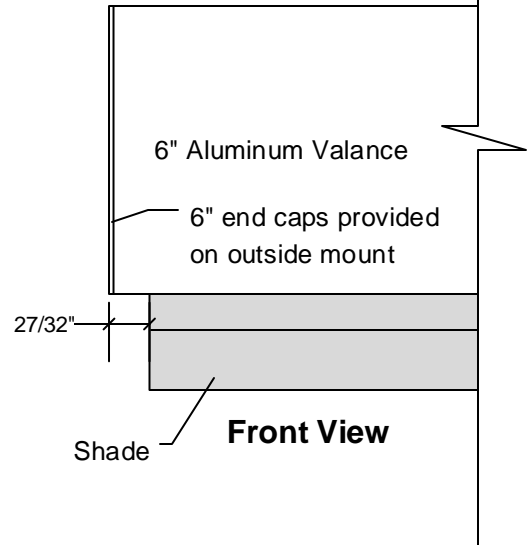


**Front View**

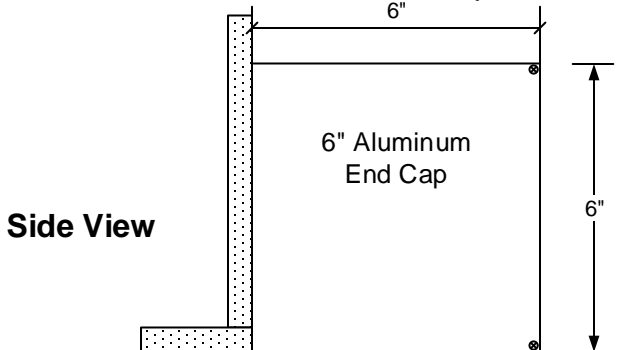
### Outside Mount



**Cross Section View**



**Front View**



**Side View**

**Notes:**

1. 6" Valance provided with 6" x 6" end caps for inside and outside mount applications.
2. Factory will take an additional 1/8" deduction for inside mount for clearance to install valance.
3. All Clutch operated shades must have child safe Metal Select or Universal locking chain guide .tension device compliant with American National Standard for Safety of Corded Window Covering Products (ANSI/WCMA A100.1-2018).
4. 5 1/2" x 5 1/2" dual bracket system and 6" valance will accommodate for R-8, R-16, BAT-R, & IQM-DCR operators.