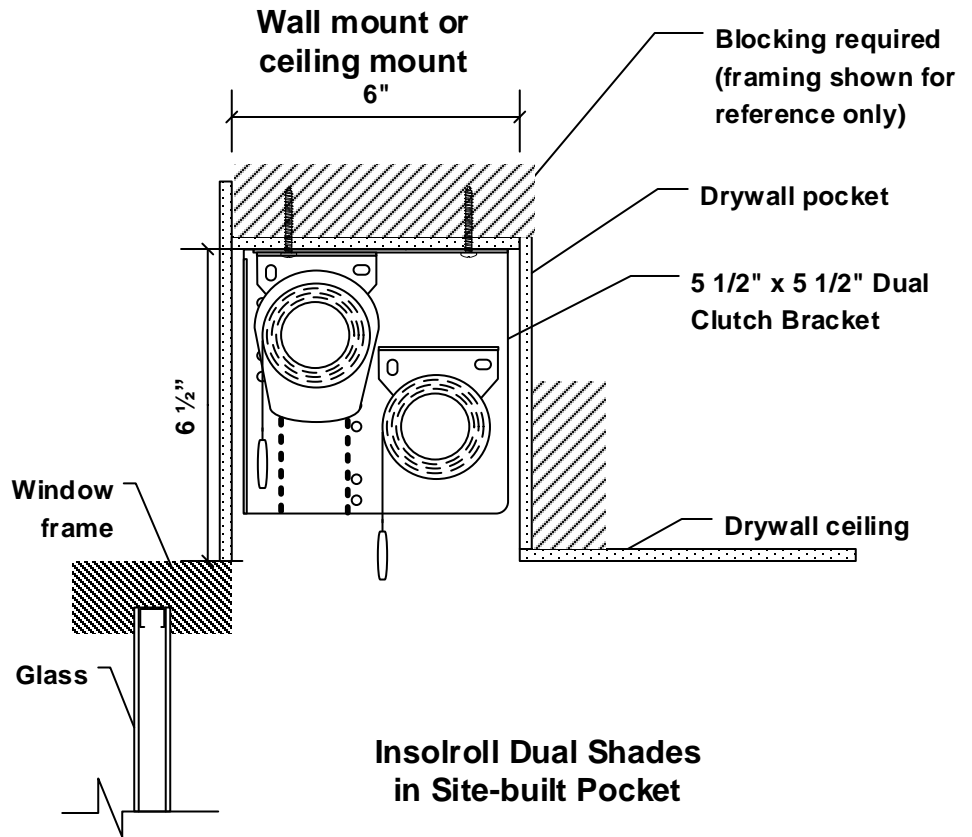
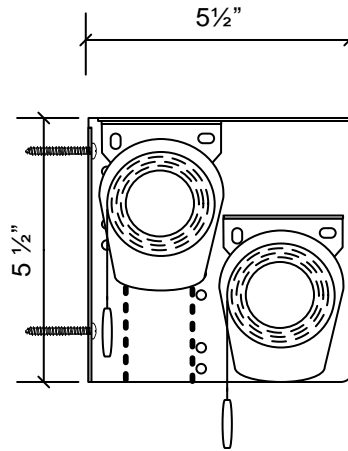
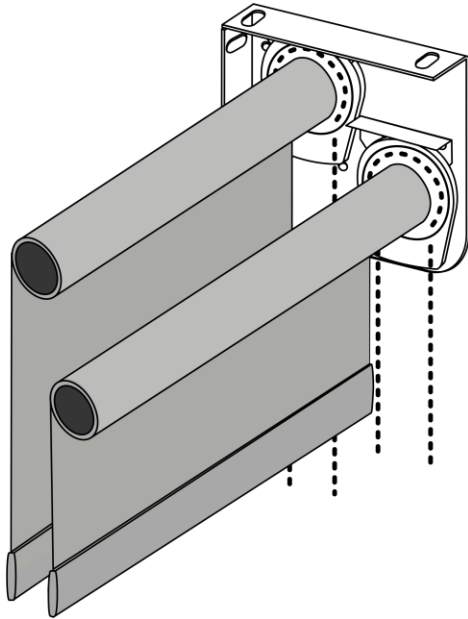




INSOLROLL DUAL ROLLER SHADE

5 1/2" bracket for clutch or motor operation in site-built pocket



**Insolroll Dual Shades
in Site-built Pocket**

Notes:

1. Shade Roll Diameter varies depending upon shade height, fabric and roller tube specified.
2. 5 1/2" dual bracket can be used with clutch operators (R8 or R16) or small motor operators (IQM-DCR, IQM-ILT-DC, or BAT-R).
3. All Clutch operated shades must have child safe Metal Select or Universal locking chain guide .tension device compliant with American National Standard for Safety of Corded Window Covering Products (ANSI/WCMA A100.1-2018).
4. Operators can be handed: Left/Left, Right/Right, Left/Right, or Right/Left.