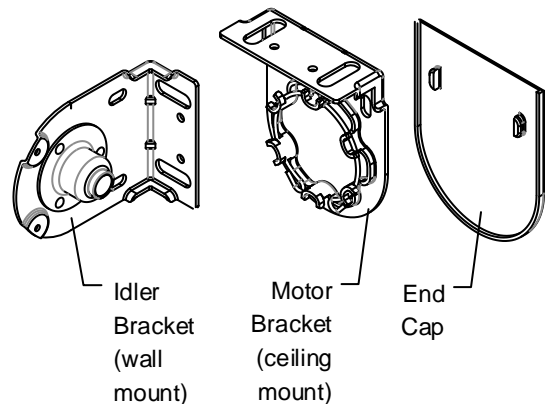
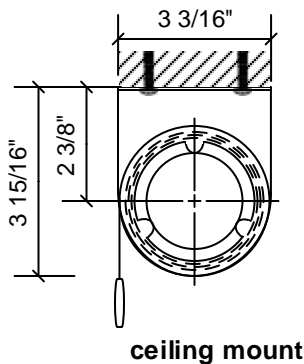
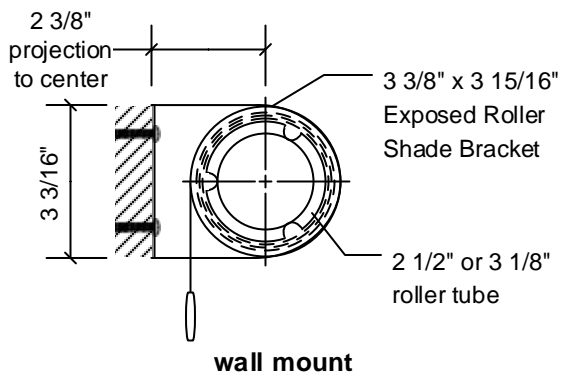
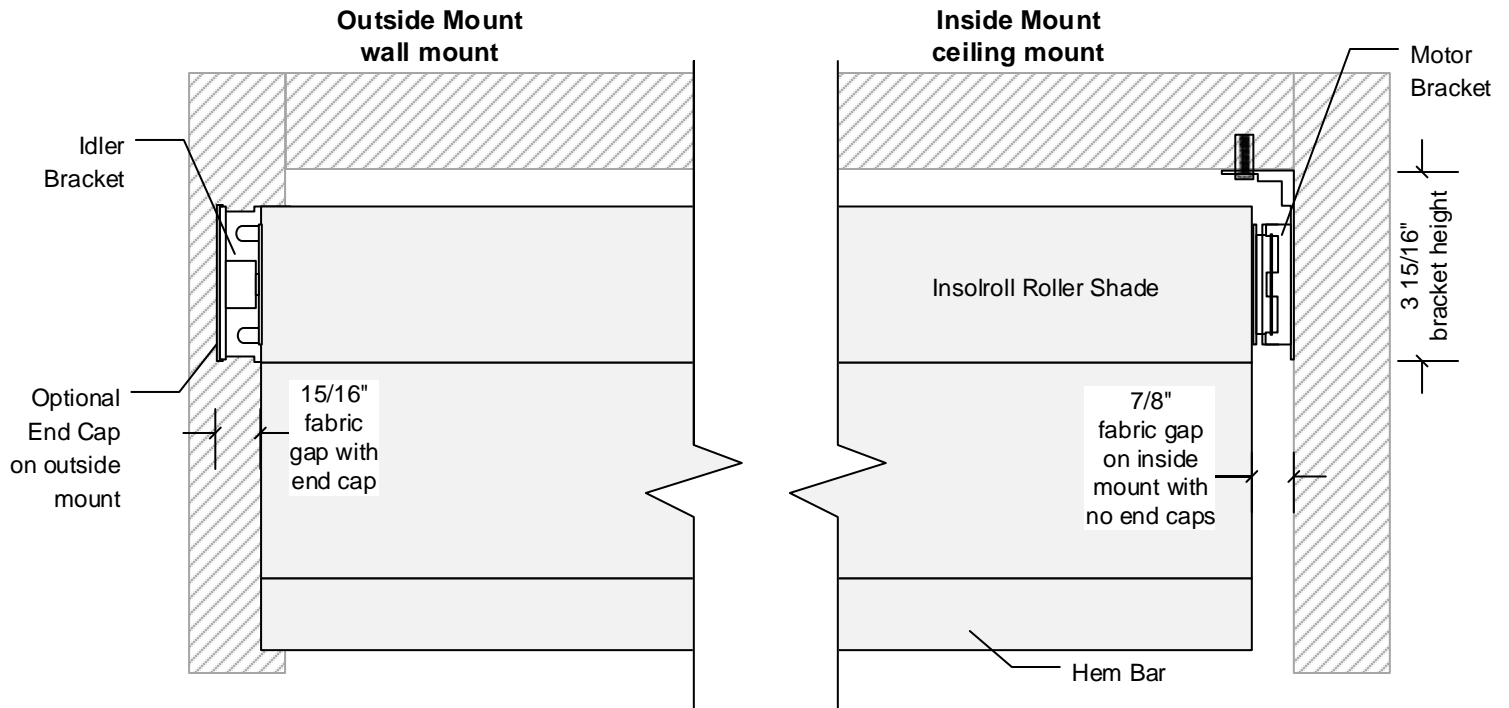




# INSOLROLL INTERIOR MOTORIZED SHADE

## 110 V AC Motor with Exposed Bracket System



- Notes:
1. Insolroll Shades with 110 V AC Motors (IQM-AC, IQM-ACR, IQM-485-AC, IUQ-AC, IUQ-ACR, IUQ-485-AC) are complete UL Listed systems with a 10' SJT rated pigtail and include a UL Listed label on roller tube.
  2. Shade Roll Diameter varies depending upon shade height and fabric and roller tube specified.
  - 3A. Fabric gap is 7/8" on both motor and idler side (1 3/4" overall fabric deduction from outside bracket width).
  - 3B. Optional decorative end caps add 1/16" to each bracket (1 7/8" overall fabric deduction from outside end caps).
  - 3C. If end caps are ordered for partial inside mount, factory will make appropriate deductions (15/16 fabric gap each side).
  4. Shade brackets and end cap are available in 3 colors; black, white or silver/gray.