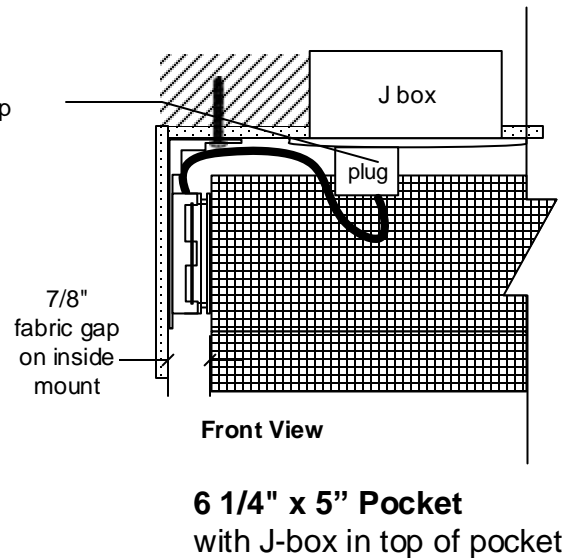
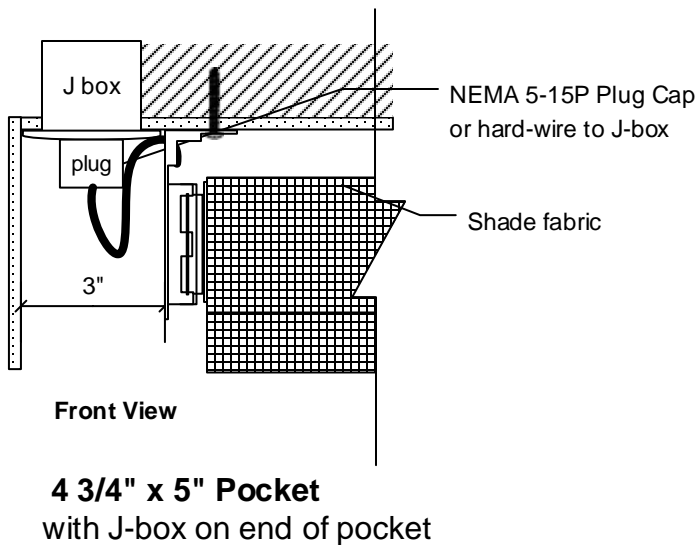
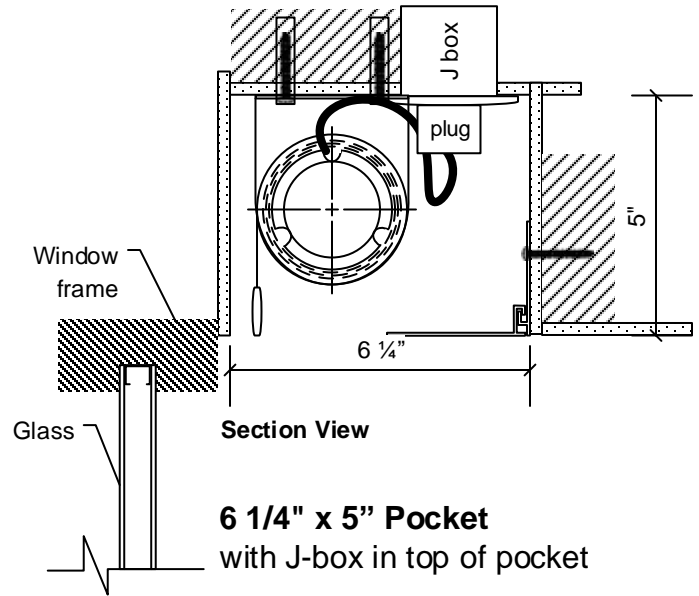
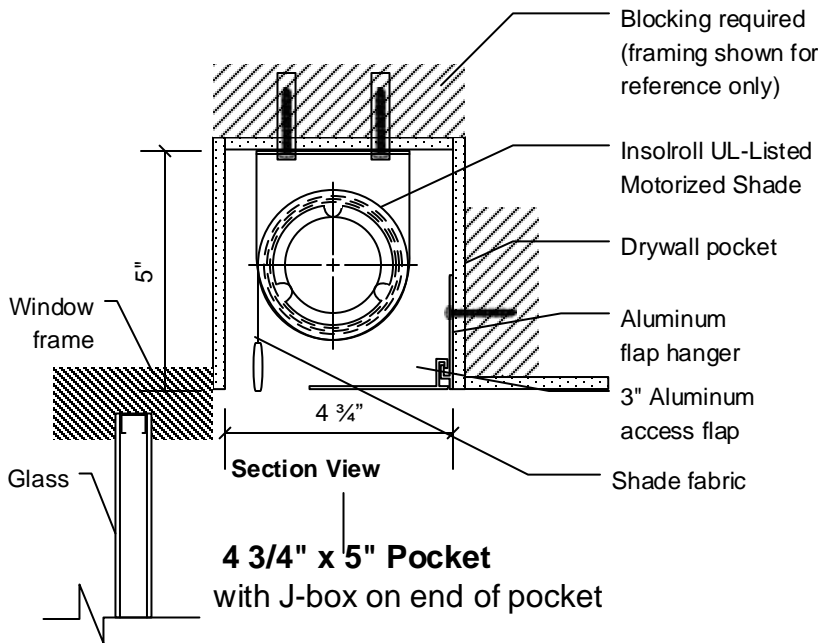




INSOLROLL INTERIOR MOTORIZED SHADE

110 V AC Motor in Site-built Pocket (J-box pre-wire)



Notes:

1. Insolroll Shades with 110 V AC Motors (IQM-AC, IQM-ACR, IQM-485-AC, IUQ-AC, IUQ-ACR, IUQ-485-AC) are complete UL Listed systems with a 10' SJT rated pigtail and include a UL Listed label on roller tube.
2. An UL Listed appropriately sized cable clamp or cable gland must be used that is suitable for the use with the diameter of the cable. The outside diameter of the motor cable is .340 Nominal (8.64mm) This will make sure the connection between the motor cable and the junction box is stable and avoiding strain on the conductors.
3. Any switch, connector, and/or junction box that will be used should be UL Listed.
4. For motorized shades provided with the NEMA 5-15P plug cap, the need for a ground-type receptacle for connection of the supply and the need for proper grounding is crucial. "To reduce the risk of electrical shock, this equipment has a grounding-type plug, that has a third (grounding) pin. This plug will only fit into a grounding-type outlet.
5. Any electrical wiring that is designed to be permanent shall be employed as required by local codes.