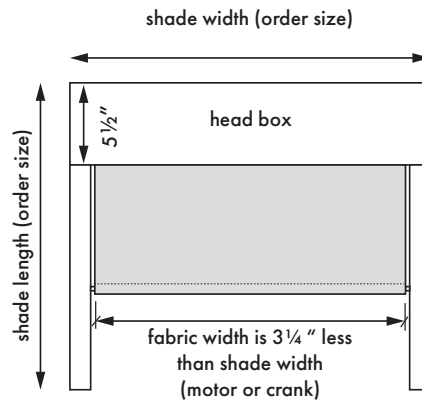
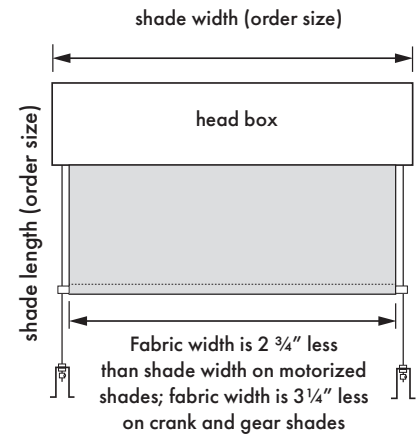


1

Shade Measuring



Side Track System Details



Cable Guide System Details

Width

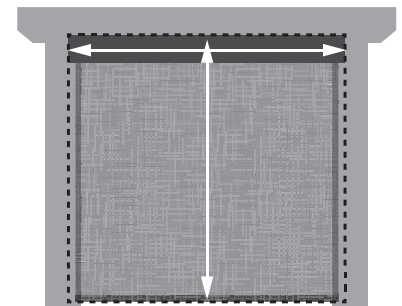
Order size is outside bracket to outside bracket (for side track application, outside track width to outside track width)

1. Factory will take 1/8" deduction for inside mounts.
2. Provide a minimum of 1/4" clearance beyond any obstruction for the hem bar such as flashing, bolt head, etc.
3. Overlapping shade fabric onto rough surfaces such as stucco or rock may result in shade wear if left down in breezy conditions.

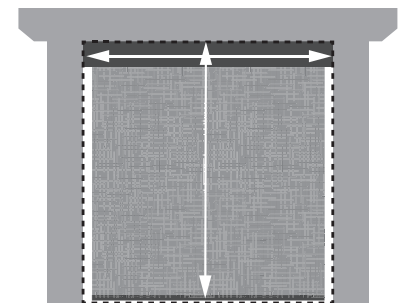
Height

Order size is from top of head box to bottom of side track or cable guide. Hem bar hangs 2" below head box when retracted. **Add 2" for hem bar when figuring clear opening for window applications.**

--- Order size



Outside mount



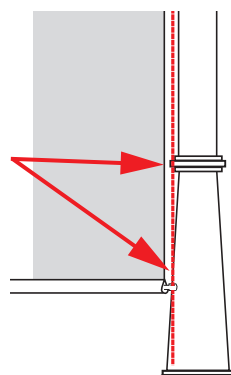
Inside mount

Hem Bar Obstructions

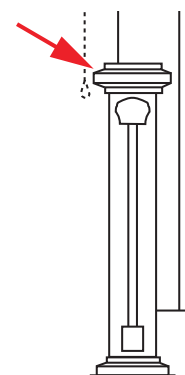
- Railings
- Mouldings
- Protruding Masonry
- Etc.

Look for anything that might interfere with lowering of the shade.

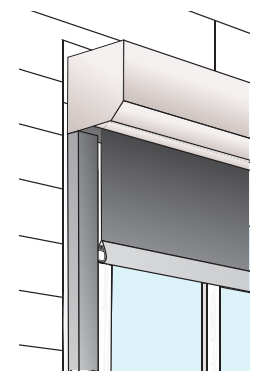
Note: Some applications may require building out head box to align with trim details on window applications.



Vertical obstructions



Horizontal obstructions

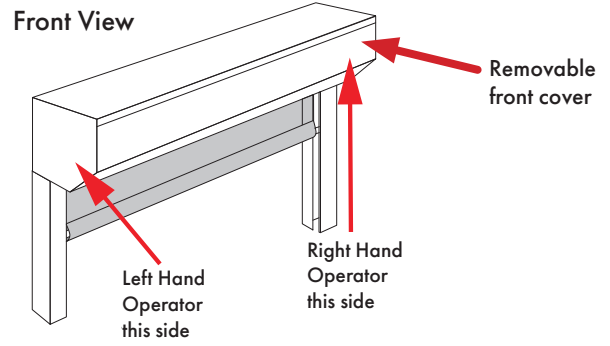


Exterior window application

2 Operator Handing

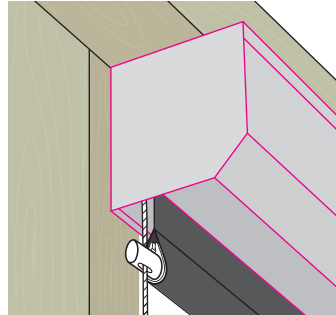
Right or Left

Note: Handing is determined by looking at the front side of the head box.

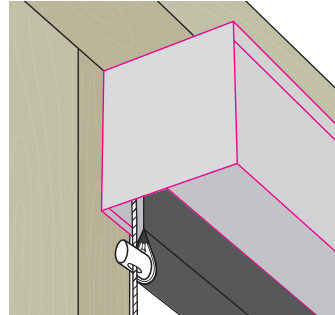


3 Roller Enclosure

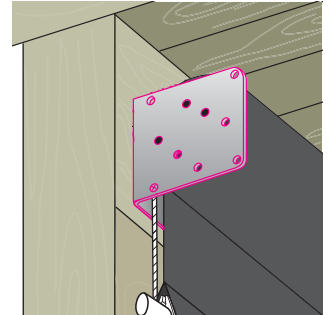
Choose from:



5" x 5 1/2" Extruded Aluminum Head box



5" x 5 1/2" Extruded Aluminum Pocket (motorized only)



Exposed Roller

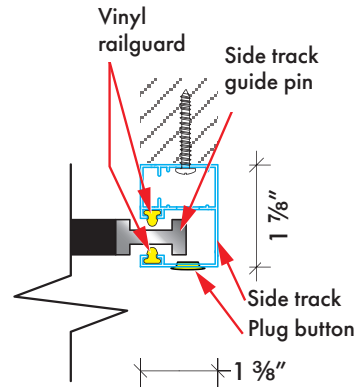
4 Fabric Guide System

Side Track

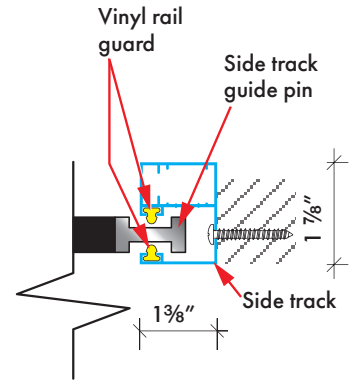
Choose Track mount:

- Inside mount
- Surface mount

1. If shade will be used in partially raised application, side tracks will provide a more stable guide system in breezy conditions.
2. Side tracks shipped pre-drilled for inside or outside mount, unless otherwise specified.



Face mount



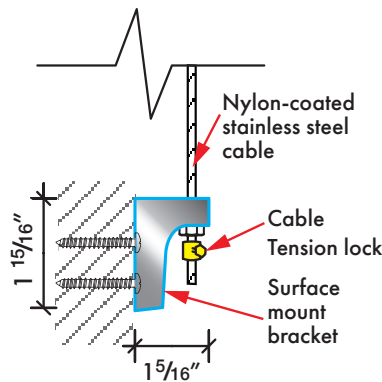
Side mount

OR

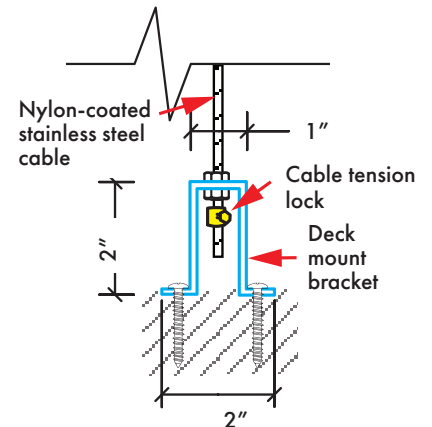
Cable

Choose bracket mount:

- Wall mount brackets
- Deck mount brackets



Wall mount cable bracket



Deck mount cable bracket

5

Large Railroaded Shades

Seam locations

- Fabric roll width minus 4 ½"
- Measure up from bottom of shade

Note:
Specify wide-width fabrics to avoid most visible seams on tall wide shades.

