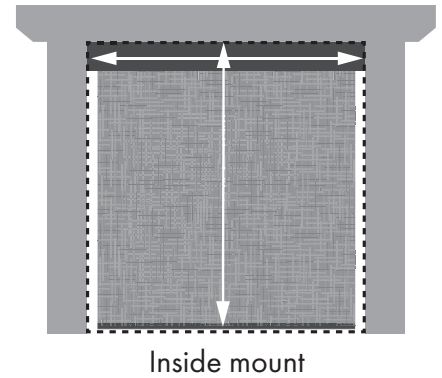
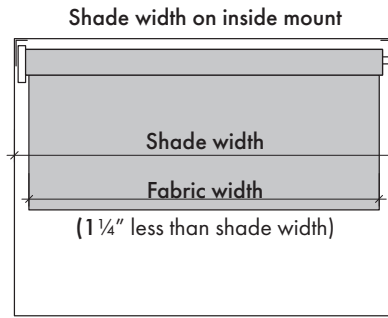


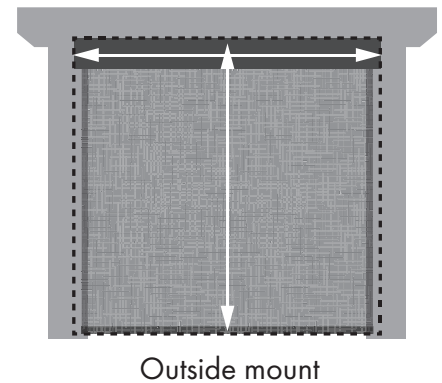
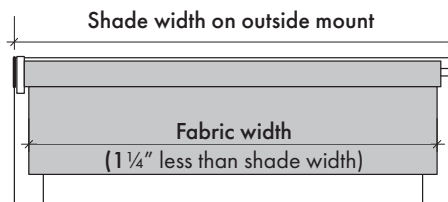
1

Shade Measuring

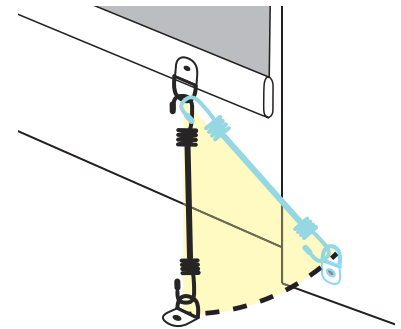
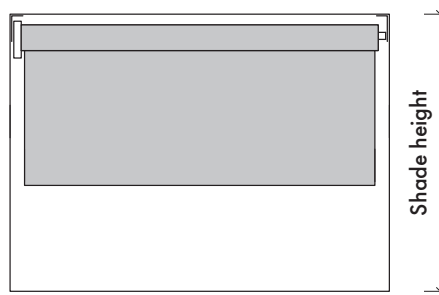
Width For inside (inset) mounts:
Round down opening width to the nearest 1/16" at the top of the opening. This is a critical dimension; measure carefully.
Factory will make no deductions on inside mount shades.



For outside (overlap) mounts:
Provide outside bracket-to-bracket measurement.
Factory will take no deductions on outside mount shades



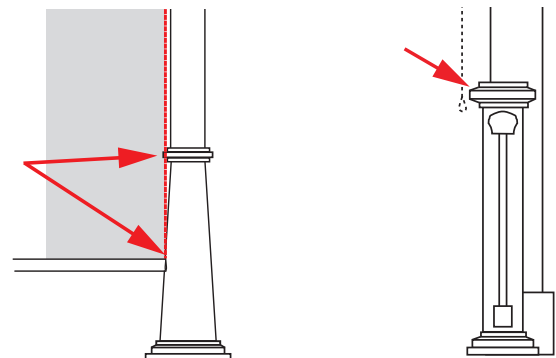
Height Provide the height from the top of shade bracket to the bottom of lowered shade.



To utilize bungee cords, allow 9–10" from floor for full-length shades. Affix to floor or vertical surface; do not exceed bungee angle of 45°.

Hem bar & chain obstructions

- Look for anything that might interfere with lowering of the shade, such as railings, mouldings, protruding masonry, etc.
- Consider reverse roll application to clear obstructions like railings.
- We recommend making shade narrower to avoid vertical obstructions.



2

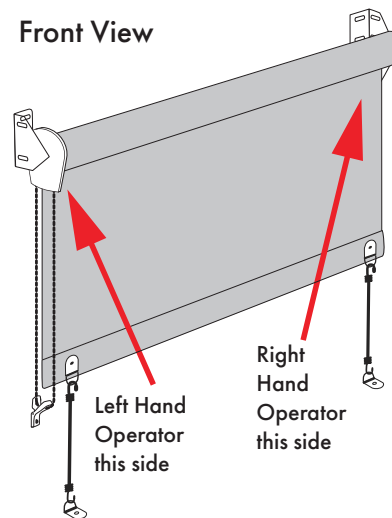
Operator Handing

Right or left

Determine regular roll or reverse roll
 Regular roll: fabric rolls off back of roller tube
 Reverse roll: fabric rolls off front of roller tube

Note: Factory will affix child safety label on back of hem bar for both roll styles.

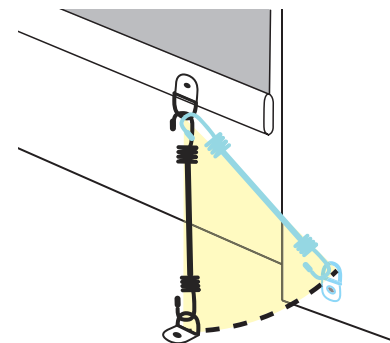
Front View



3

Bungee Cord System

- D-rings attach to hem bar and either deck or wall railing
- Included bungee cords are 8" long prior to stretching
- Bungee must be stretched to provide stabilization
- Shades should be retracted in moderate to high winds



4

Large Railroaded Shades

Seam locations

- Fabric roll width minus 4 1/2"
- Measure up from bottom of shade

Note: Specify wide-width fabrics to avoid most visible seams on wide shades.

