

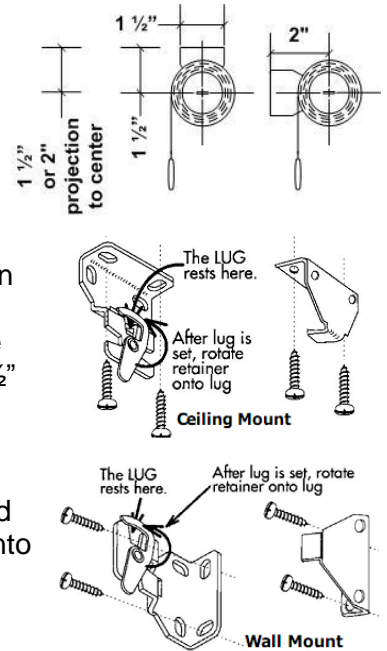


Motorized Shades with 1 1/2" & 2" roller tube Installation Instructions

Instructions for motorized shades that include one of the following motors; IQM-AC2, IQM-ACR2, IQM-DCR, IQM-ILT-DC and BAT-R. Motorized Shades come fully assembled and ready for installation. **Mounting screws are not provided.** The type and size of screw required will vary depending upon the mounting surface.

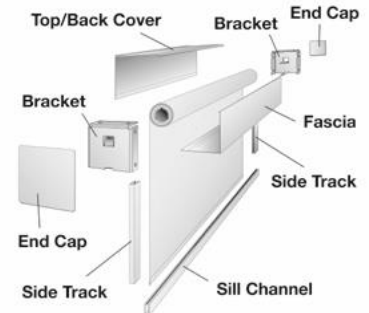
Exposed Bracket Installation

- Determine mounting position of shades.** The order width is the bracket-to-bracket dimension. The brackets are universal and can be mounted for inside, outside, and ceiling mounts using the appropriate holes. For inside mount, this is typically the opening width. For outside mount, mark the location of the brackets noting that the outside bracket width equals shade width. For proper shade operation, brackets must be mounted perfectly level. Determine operator side as ordered. Mount brackets to wall or ceiling with #6 or #8 x 1 1/2" pan head or hex head screw (not provided).
- Shade installation.** Install the shade by pushing the motor straight onto the blade of its bracket. The motor should be installed so the program buttons and charging or battery ports hang straight down. Lower the lug of the end plug onto the "V" of its bracket. The roller should fit in the brackets securely, with just a little play. Rotate the riveted retainer portion to lock the lug in position.
- Refer to programming instructions to lower shade and set upper & lower limits.

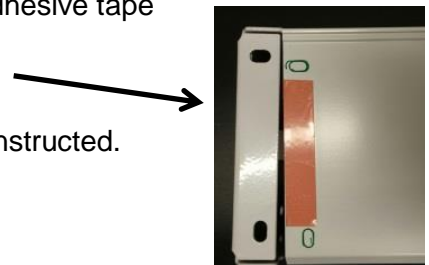


Optional Aluminum Fascia Single Bracket Installation (3" and 4")

- Using three inch or four inch brackets, shades may be installed with fascia, or fascia plus top/back cover. Top/back cover installed as reverse roll application uses a four-inch bracket only.



- Adhesive tape.** On each end of the top/back cover is double sided adhesive tape as shown. An orange strip of plastic protects the top of the adhesive tape. The tape assists in holding the top/back cover and brackets together. Do not remove the protective strip on the orange adhesive tape until instructed.





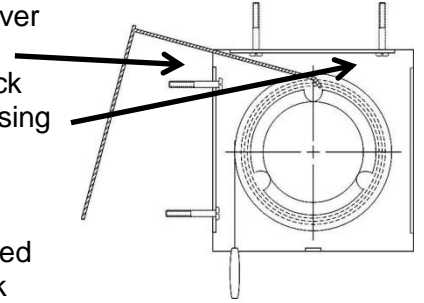
Motorized Shades with 1 1/2" & 2" roller tube Installation Instructions

3. Top/back cover pre-drill

a. Ceiling mount.

Slide the top/back into the left and right bracket so the top/back cover is underneath the top bracket flange.

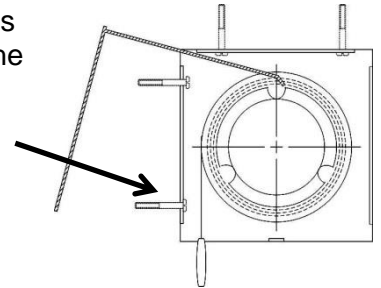
Using the top of the bracket, mark the bracket holes on the top/back cover. Pre-drill the marked holes in the top of the top/back cover using a 3/16 inch drill bit



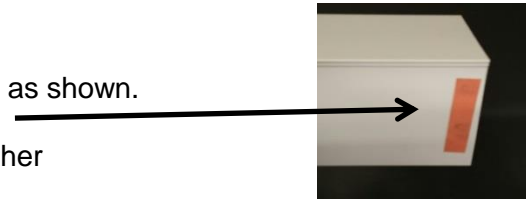
b. Wall mount.

Use the same process as ceiling mount except the holes are marked on the back of the top/back cover instead of the top of the top/back cover.

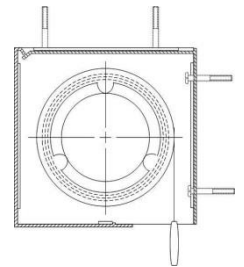
Slide the top/back into the left and right bracket so the top/back cover is underneath the top bracket flange for both brackets. Using the top of the bracket, mark the bracket holes on the top/back cover. Pre-drill the marked holes in the top of the top/back cover using a 3/16 inch drill bit



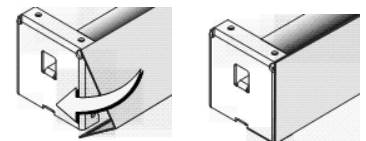
4. On each end of the top/back cover is double sided adhesive tape as shown. An orange strip of plastic protects the top of the adhesive tape. The tape assists in holding the top/back cover and brackets together



5. **Top/back cover with fascia (regular roll only).** Remove the orange protective strip then slide the top/back cover inside the top of the bracket. Mount the brackets and the top/back cover simultaneously to surface or ceiling using #6 or #8 x 1 1/2" pan head or hex head screws (not provided).



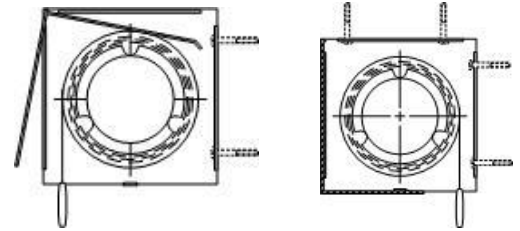
- a. Fascia application. Snap on fascia. Hook the lip in the fascia over the end brackets and swing the fascia down until the bottom of fascia snaps securely into place.



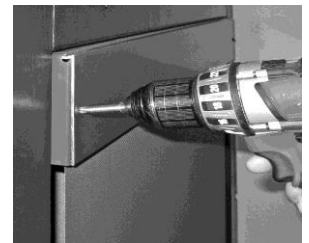


Motorized Shades with 1 1/2" & 2" roller tube Installation Instructions

6. **Top/back cover only (reverse roll).** Fascia is not used in the application. Remove orange protective strip from the top of the double-sided tape on the top/back cover. Slide the top/back cover in the open bracket slot so the top/back cover is underneath the top flange of the bracket. Install brackets and top/back cover at the same time.



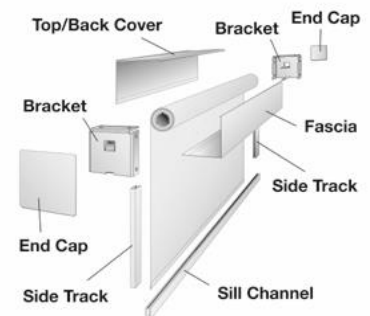
This application requires a screw through the front of the reverse roll fascia. Pre-drill 1/8" hole through fascia into flange on steel bracket. Attach with provided #8 x 3/8" pan head screw. Clutch shade show in picture to the right.



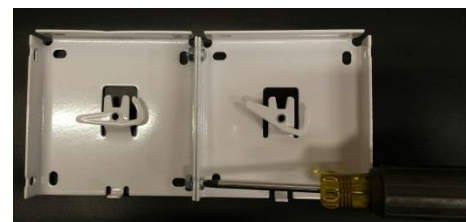
7. **Shade installation.** Install the shade by pushing the motor straight onto the blade of its bracket. The motor should be installed so the program buttons and charging or battery ports hang straight down. Lower the lug of the end plug onto the "V" of its bracket. The roller should fit in the brackets securely, with just a little play. Rotate the riveted retainer portion to lock the lug in position.

Optional Aluminum Fascia Dual Bracket Installation (4")

1. Shades may be installed with fascia, or fascia plus top/back cover.
2. Determine mounting position of shades. The order width is the bracket-to-bracket dimension. The brackets are universal and can be mounted for inside, outside, and ceiling mounts using the appropriate holes. For inside mount, this is typically the opening width. For outside mount, mark the location of the brackets noting that the outside bracket width equals shade width. For proper shade operation, brackets must be mounted perfectly level. Determine operator side as ordered.



3. Screw the brackets together. Idler brackets are shown. Screw the motor brackets together in the same manner.





Motorized Shades with 1 1/2" & 2" roller tube Installation Instructions

4. Top/back cover pre-drill

a. Ceiling mount.

Slide the top/back into the left and right bracket so the top/back cover is underneath the bracket flange.

Mark the holes on the top/back cover.

Pre-drill the marked holes in the top of the top/back cover using a 3/16 inch drill bit

b. Wall mount.

Slide the top/back into the left and right bracket so the top/back cover is underneath the bracket flange.

Mark the holes on the top/back cover.

Pre-drill the marked holes in the top of the top/back cover using a 3/16 inch drill bit



5. On each end of the top/back cover is double sided adhesive tape as shown.

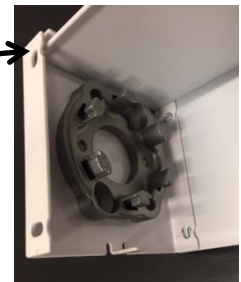
An orange strip of plastic protects the top of the adhesive tape.

The tape assists in holding the top/back cover and brackets together.

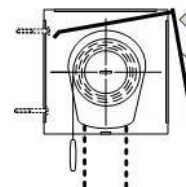


6. **Top/back cover with fascia (regular roll only).** Remove the orange protective strip then slide the top/back cover inside the top of the bracket.

Mount the brackets and the top/back cover simultaneously to surface or ceiling using #6 or #8 x 1 1/2" pan head or hex head screws (not provided).



7. **Top/back cover only (reverse roll).** Remove orange protective strip from the top of the double-sided tape on the top/back cover. Install brackets and top/back cover at the same time.



Slide reverse roll fascia through slot in bracket and attach with screw

4" Reverse Roll Fascia

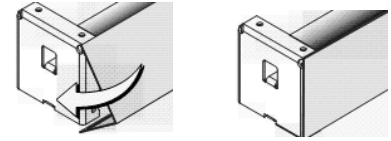
This application requires a screw through the front of the reverse roll fascia. Pre-drill 1/8" hole through fascia into flange on steel bracket. Attach with provided #8 x 3/8" pan head screw. Clutch shade show in picture to the right. Follow step 2 of Exposed Bracket installation.





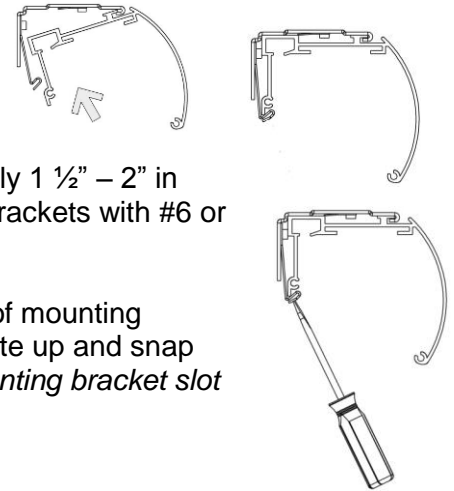
Motorized Shades with 1 ½” & 2” roller tube Installation Instructions

8. Snap on fascia. Hook the lip in the fascia over the end brackets and swing the fascia down until the bottom of fascia snaps securely into place.



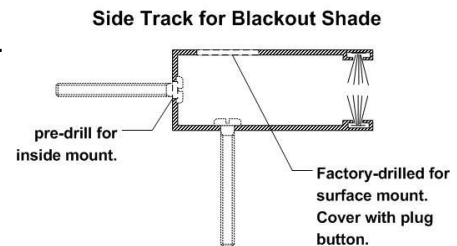
Optional Cassette Installation (3” or 4”)

1. Cassette system is shipped assembled. Cassette system utilizes universal mounting brackets that can be mounted for wall or ceiling mount. Determine exact mounting location for cassette.
2. Determine wall or ceiling mount. Mount two outer brackets approximately 1 ½” – 2” in from the end. On wider units install center bracket(s) supplied. Attach brackets with #6 or #8 x 1 ½” pan head or hex head screw (not provided).
3. Snap cassette into mounting brackets. Hook top of extrusion into front of mounting brackets as shown in diagram. Rotate the back bottom corner of cassette up and snap into bracket. *(To remove cassette, insert flat head screwdriver into mounting bracket slot provided, then back to release cassette.)*
4. Follow the Exposed Bracket installation step 3.



Optional Sidetrack Installation

1. Follow Exposed Bracket installation instructions steps 1 and 2.
2. **Install side tracks.** Line up outside track width with outside bracket width. Use level to make sure tracks are plumb.
 - a. **For surface mount installations,** screw through pre-drilled side track. Snap plug buttons over hole when complete.
 - b. **For inside mount installations,** pre-drill side rail at desired locations before screwing to window jamb.



Optional Paramount Valance Installation

Refer to the Paramount Valance Installation Instructions for details.

Optional Valance Installation

A six inch valance accomodates a single or dual shade system.

A. Inside Mount and Ceiling Mount Application for Six-Inch Valance

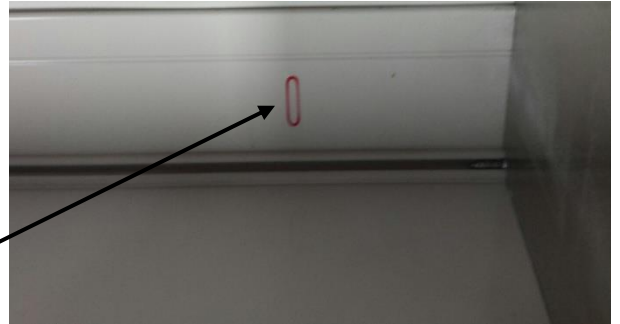
No end plates are included with an inside mount application.

1. Determine the location of the idler bracket and the clutch bracket. Follow Exposed Roller Shade installation step 1.



Motorized Shades with 1 ½” & 2” roller tube Installation Instructions

2. Hold the valance at the desired location to ensure shade clearance and proper fit for single or dual shade application. Valance may be flush with front of opening or inset to desired location. Ensure that there is sufficient clearance for a chain-operated shade. Mounting the valance too close to the shade will result in the chain contact with the bottom return.



3. Pre-drill 3/16 inch holes in the 1½ inch top return of the valance in the extrusion guide groove for direct mount or when using an L bracket when applicable. When using L brackets, recommended spacing between brackets is a maximum of 36 inches. Mount the shade bracket in an orientation as dictated by the application.
4. Place valance into opening. Secure the valance by screwing through the top of the valance into the drywall/trim. Screws not provided.

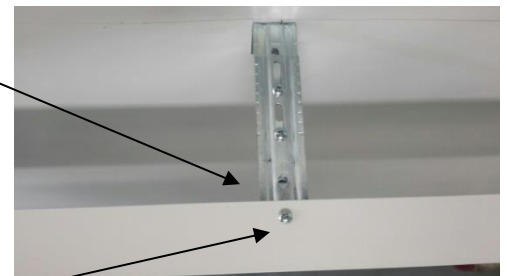
B. Outside Wall Mount Application for Six-Inch Valance

End plates are included for an outside mount application.

1. Secure the end plates to the valance with supplied mounting screws. Hold the valance at the desired location to ensure shade clearance and proper fit.
2. Determine the location of the shade brackets. Mount shade brackets per Exposed Roller Shade installation step 1.
3. Determine the location of the L-brackets. Recommended spacing between L brackets is a maximum 36 inches. Mount L-brackets.
4. The top of the L-bracket must be mounted underneath the 1½ inch return.

Dry fit valance on L-brackets to determine the pre-drill hole location. Loosen L Bracket adjustable screws as required for ease of installation.

Pre-drill 3/16 inch holes in the 1 ½ inch top return of the valance in the extrusion guide groove.



Place valance into opening. Using the supplied fasteners, secure the valance to the L-brackets. Position the valance so the end plates are flush with the mounting surface and firmly tighten the L bracket adjustable screws. Mount roller shade back on brackets.

Pocket Installation

1. Attach the end plates to the back cover using the provided screws.
2. Align the brackets in between the bracket location ridges toward the back of the back cover for ceiling or wall mount application. Mark the bracket holes for ceiling or wall mount. Hole spacing should be the same for the left and right side to ensure proper shade operation.



Motorized Shades with 1 ½” & 2” roller tube Installation Instructions

3. The top of the back cover is mounted at the order height. Use a 3/16 drill bit and pre-drill holes for easier installation. Secure the back cover using intermediate mounting points spaced four to six feet apart.
 - a. For wall mount, screw the back cover to mounting surface using #8 x 1 ½ inch or longer pan-head screws (not provided). Ensure that the back cover is level. Be careful not to over-tighten screws as this may cause damage to the back cover.
 - b. For ceiling mount, the head box must be fully assembled before installation. Insert the front cover tongue into the back cover groove. After correctly inserting the front cover in the groove, the front cover will stay engaged as it closes. Secure the front cover to the end plate using the remaining screw position.
4. Screw brackets to wall or ceiling mounting surface through the back cover with #10 x 1 ½ inch or longer pan-head screws (not provided).
5. Follow the Exposed Bracket installation steps 1 and 2.
6. For wall mount, insert the front cover tongue into the back cover groove. After correctly inserting the front cover in the groove, the front cover will stay engaged as it closes. Secure the front cover to the end plate using the remaining screw position.
7. For wall and ceiling mount, insert the flap in the front cover.

Troubleshooting Telescoping In Shade

1. To adjust shades for telescoping (excessive horizontal movement of fabric while shade rolls up on the tube), roll shade all the way down so tube is exposed (this will require removal of motor down stop limit).
2. Place a 4” piece of tape (2”-4” in from the end of shade) on the side of the tube opposite of the direction the fabric is moving.
3. Run the shade up. If shade still telescopes, repeat the process. The correct amount of tape can only be determined by trial and error.
4. Re-set the down limit after completing shade adjustments.

Operation of Motorized Shades

1. To open shade or close via wall switch or remote control, user should have line of sight view of shades being operated. User should make sure the shades do not come into contact with any obstruction.
2. If any shade binds up or hits an obstruction, the shade operation should be switched off immediately.
3. Motors should not require any lubrication. If motor ceases to work, electrician is required to ensure that problem does not exist with wiring. If motor overheats, thermal overload will activate shutting off motor until it cools down. Motor will return to normal operation.



Motorized Shades with 1 ½” & 2” roller tube Installation Instructions

Important Notes for the Electrician

1. An Underwriters Lab (UL) Listed cable clamp or cable gland must be used that is suitable for the diameter of the cable. The outside diameter of the motor cable is nominally 0.340 inches (8.64mm). This will ensure that the connection between the motor cable and the junction box is stable and reduces strain on the conductors.
2. Any switch, connector, and/or junction box should be UL Listed.
3. For motorized shades provided with a NEMA 5-15P plug cap, the plug cap must be inserted into a grounded receptacle. “To reduce the risk of electrical shock, this equipment has a grounding type plug that has a third (grounding) pin. This plug will only fit into a grounding type outlet. If the plug does not fit into the outlet, contact a qualified electrician to install the proper outlet. Do not change the plug in any way.”
4. Any electrical wiring that is designed to be permanent shall be employed as required by local codes.
5. Ensure there is adequate drip loop length so no condensation can travel to the motor head. An example of a drip loop is shown below:



Insolroll has been granted a UL Listing for complete motorized shade systems including any of six upgraded motors (Model #s STD-AC, STD-ACR, STD-AC-ILT, IQM-AC, IQM-ACR, and IQM-AC-ILT).