

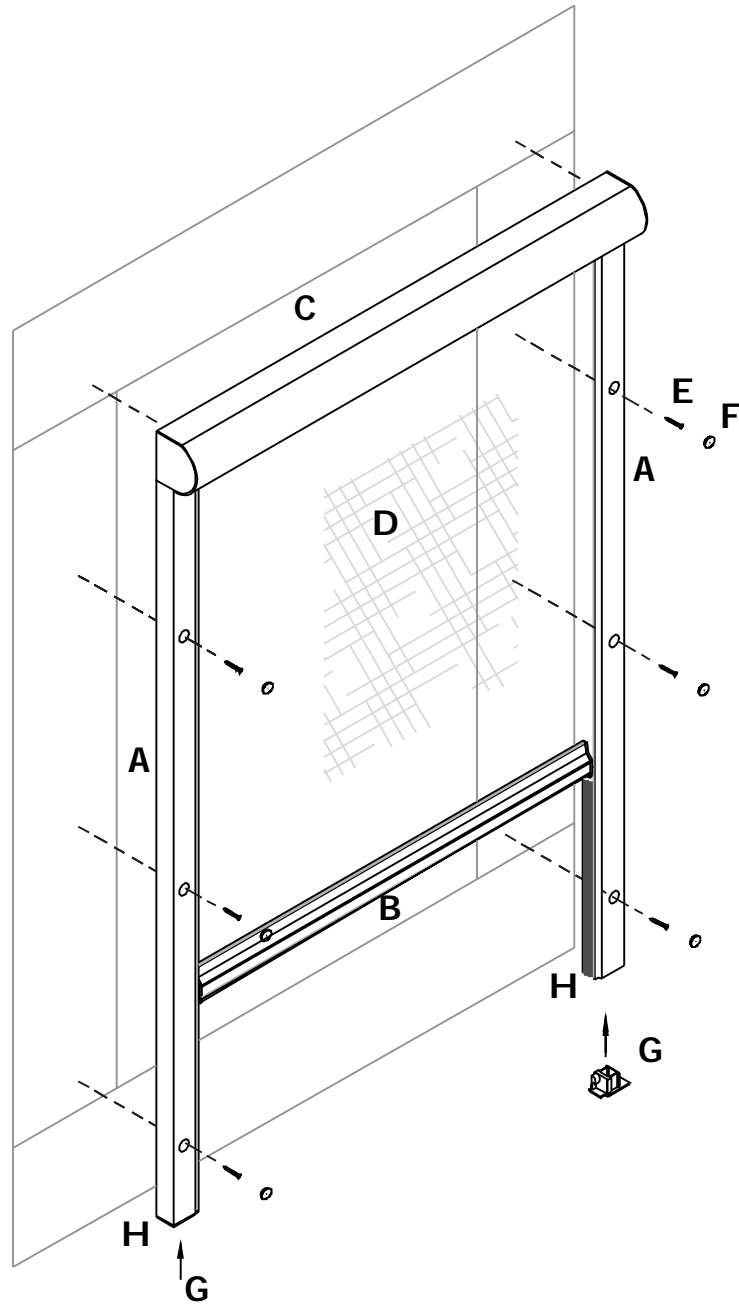
# Serene Design Specifications

( External Assembled View )

For Illustration Purposes Only - Not Drawn to Scale

## Parts Spec

- A** Aluminum Track  
Standard Version - 57/64"w x 1-3/8"h  
Short Version - 57/64"w x 29/32"h
- B** Aluminum Slide Bar  
23/32"w x 1-13/32"h
- C** Aluminum Housing Assembly  
2-19/64"w x 2-7/64"h
- D** PVC Coated Fiberglass Mesh
- E** #6 x 3/4" (#5 Head) Flathead Screw
- F** Track Screw Hole Cover
- G** Track Latch
- H** Mesh Retention Pile - Inside  
Full Track Length (Both Sides)



All components are color matched except the Mesh.

All Dimensions Are In Inches

© 2006 Phantom Mfg (Int'l) Ltd. Proprietary Material  
Drawing #: PSRNDDESIGNSPEC01revised  
Mar 20/06 (By N.D.R.)