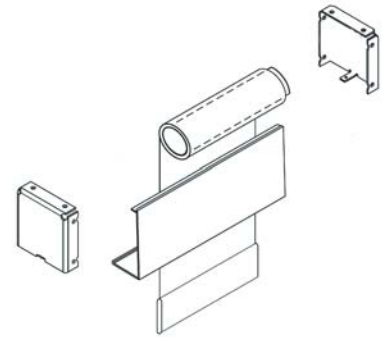
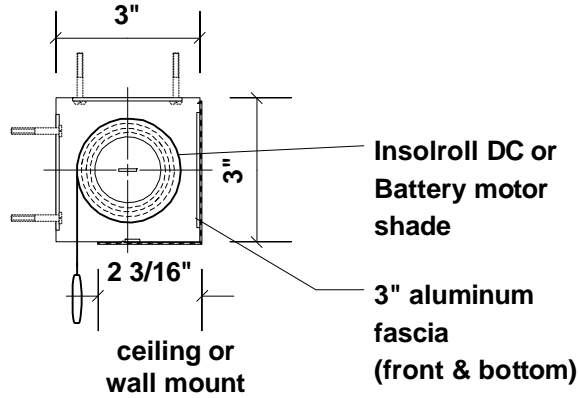


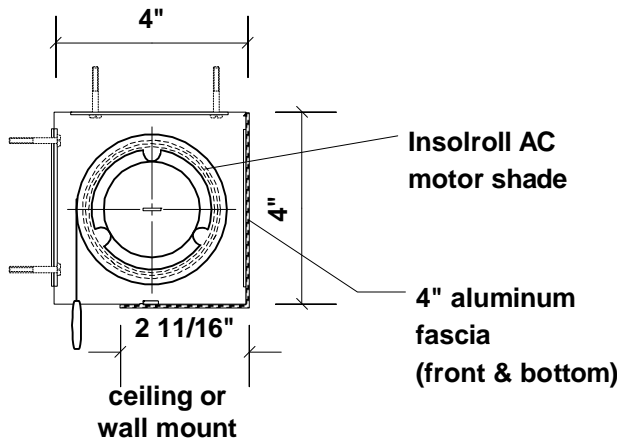
RADIANCE MOTORIZED SHADE

Motorized shades with fascia or cassette hardware

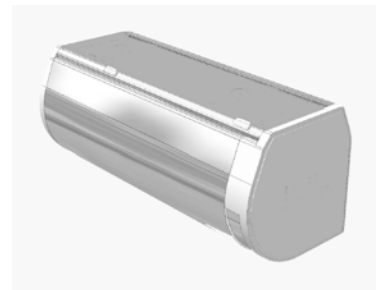
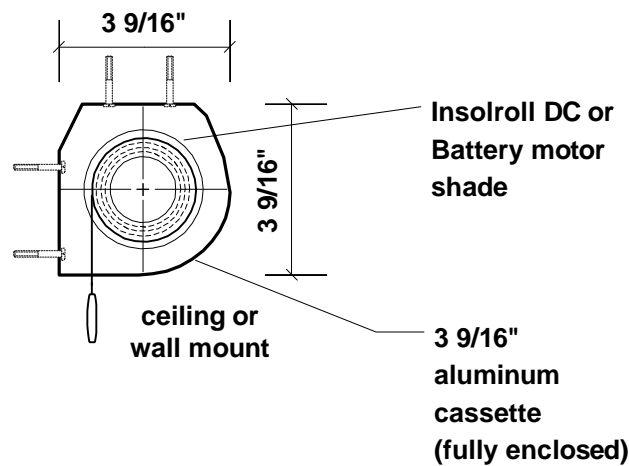
3" fascia with DC motor shade



4" fascia with AC motor shade



3 9/16" cassette with DC motor shade



Notes:

1. DC motors (IQM-DCR only) and Battery motors are compatible with 3" fascia.
2. DC motors (IQM-DCR or STD-DC) and Battery motors are compatible with 3 9/16" cassette.
3. AC motors are compatible with 4" fascia. Some large shade sizes exceed 4" fascia capacity. Call for assistance.
4. Shade Roll Diameter varies depending upon shade height and fabric and roller tube specified.