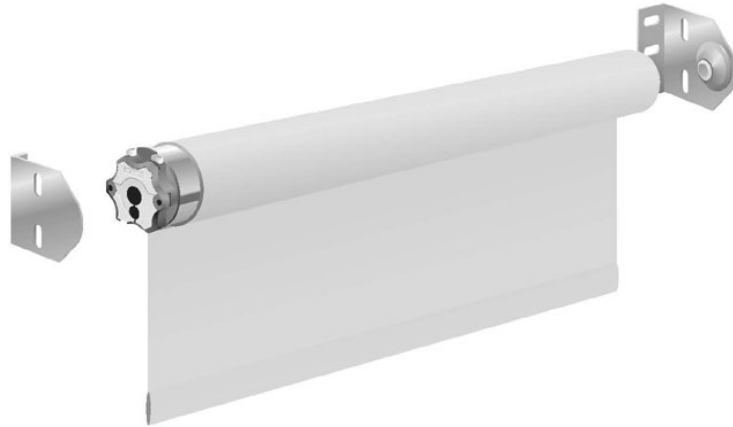
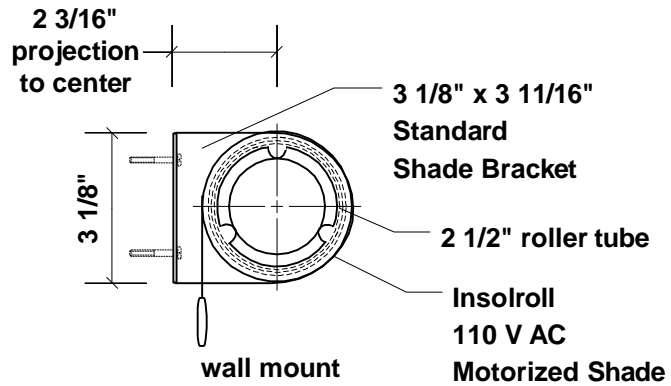
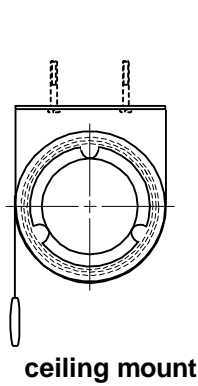


RADIANCE MOTORIZED SHADE

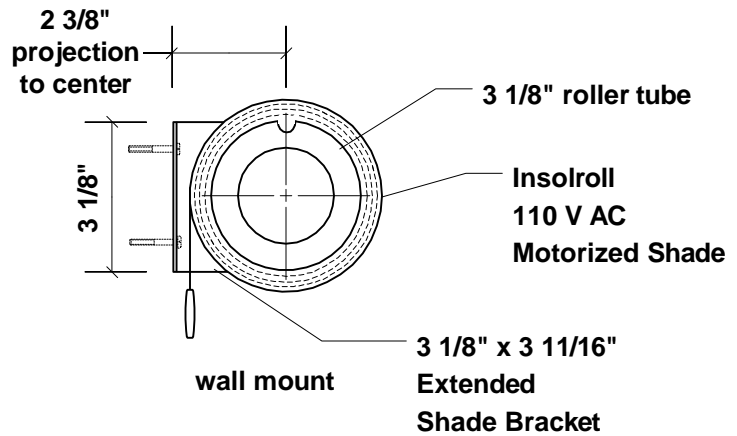
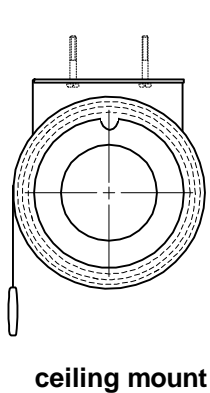
110 V AC Motor Mounting Bracket Details



Standard mounting brackets



Extended mounting brackets



Notes:

1. Extended brackets used on all shades taller than 16' - 0".
2. Shade Roll Diameter varies depending upon shade height and fabric and roller tube specified.
3. Bracket details work for STD-AC, STD-ACR, STD-ILT, IQM-AC, IQM-ACR, and IQM-ILT motors.