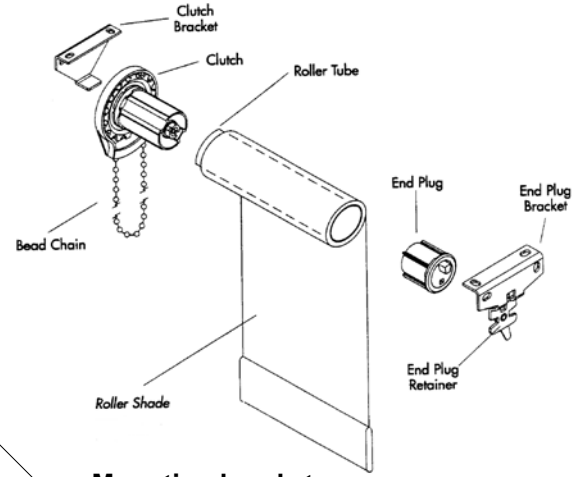
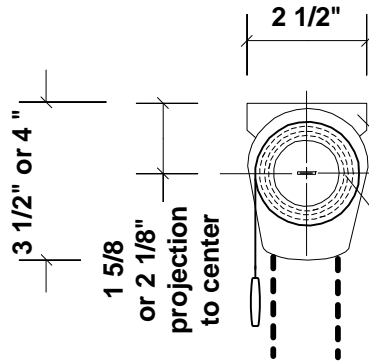




RADIANCE CLUTCH SHADE

Manual Clutch Mounting Bracket Details

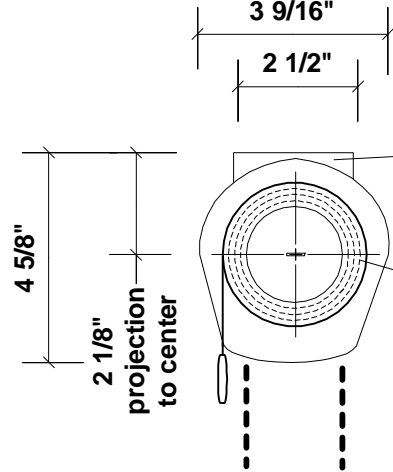
R 16 Clutch standard bracket



Mounting bracket ceiling, wall, or side mount

Insolroll manual clutch shade

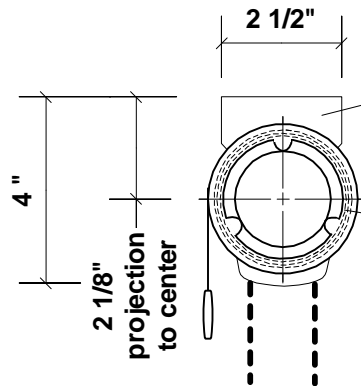
R 24 Clutch standard bracket



Mounting bracket ceiling, wall, or side mount

Insolroll manual clutch shade

G30 Spring-Assist Clutch standard bracket



Mounting bracket ceiling, wall, or side mount

Insolroll manual clutch shade

Notes:

1. Maximum clutch lift capacity for R16 clutch = 16 lbs, R 24 clutch = 24 lbs and G30 spring assist clutch= 30 lbs.
2. Shade Roll Diameter varies depending upon shade height, fabric, and roller tube specified.