

Pirouette® PowerRise® 2.0 with Platinum™ Technology

STATE-OF-THE-ART CONVENIENCE

Beautiful Pirouette® window shadings are now available with the innovative, state-of-the-art PowerRise® 2.0 with Platinum™ Technology system. Demonstrate the ease and convenience of operating shadings with the touch of a button.

Why recommend Pirouette shadings with PowerRise 2.0 to your customers?

- Quick and easy to install and operate — requires no wiring, power supplies or control units.
- One remote operates both infrared and radio control methods.
- Cordless design provides enhanced child and pet safety by eliminating cord loop hazards.
- Reduced side edge gaps provide better light control.
- Perfect for hard-to-reach, high windows.

Key points to remember when selling Pirouette shadings with PowerRise 2.0:

- Standard built-in infrared eye; external eye is optional.
- Built-in battery wand; satellite battery pack or DC power supply is optional.
- Available with optional wireless wall switch operation.
- Daisy-chain cable feature for operating multiple shadings with a single DC power supply.
- Shadings are programmed during installation and may be reprogrammed at any time by the homeowner.
- Hunter Douglas Lifetime Guarantee.



Pirouette shadings with PowerRise 2.0 can be conveniently operated with one Platinum remote, even if shadings are in different rooms.



Platinum Wireless Wall Switch

HunterDouglas

Pirouette® PowerRise® 2.0 with Platinum™ Technology

SIZE STANDARDS

Width

- Minimum ordered width: 12"
- Maximum ordered width: 96"
- Maximum ordered width, end mount: 48"

Height

- Minimum ordered height: 15"
- Maximum ordered height
 - Crepe and Satin fabrics: 96"
 - Linen fabrics: 72"

Note: Refer to the Hunter Douglas Full-Line Reference Guide for complete details.

MOUNTING REQUIREMENTS

Inside (IB) Mount

- Minimum mounting depth: $\frac{3}{4}$ "
- Minimum mounting depth, fully recessed: $3\frac{5}{8}$ "

Outside (OB) Mount

- Minimum flat vertical surface: $\frac{5}{8}$ "
- Recommended width overlap, per side: 3"

End (EB) Mount

- Minimum mounting surface depth: $1\frac{1}{2}$ "

FINISHED DIMENSIONS

All allowances are taken from ordered dimensions and may vary $\pm \frac{1}{8}$ ".

Inside (IB) Mount

- Headrail unit: $-3\frac{1}{16}$ "
- Shading height: ordered height
- Fabric width: $-9\frac{1}{16}$ "

Outside (OB) Mount

- Headrail unit: ordered width
- Shading height: ordered height
- Fabric width: $-3\frac{1}{8}$ "

End (EB) Mount

- Headrail unit: $-1\frac{1}{16}$ "
- Shading height: ordered height
- Fabric width: $-1\frac{1}{16}$ "

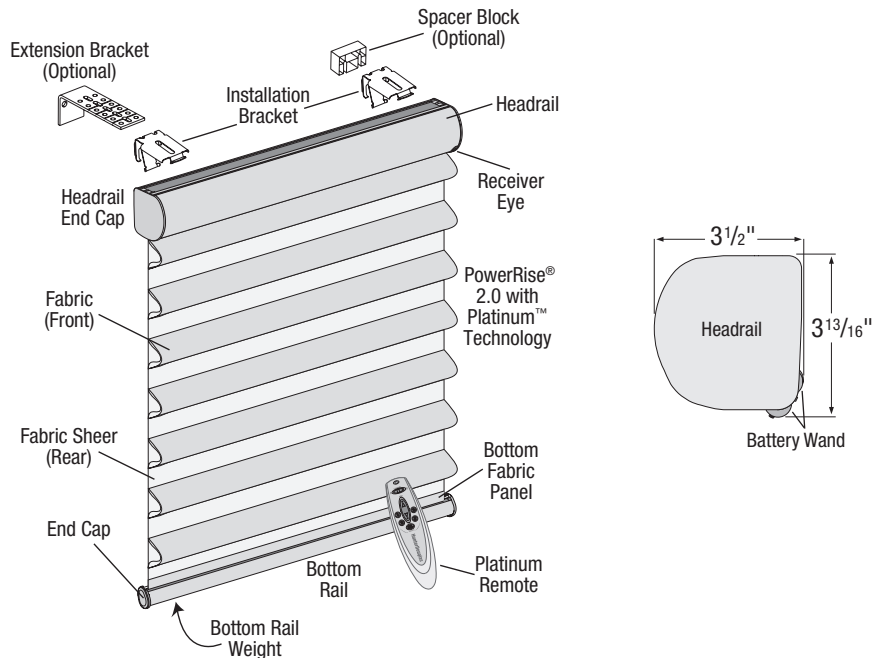
INSIDE (IB) MOUNT SIDE EDGE GAPS

From window opening edge to fabric.

- Both sides: $\frac{5}{16}$ "

CLEANING OPTIONS

- Dust with feather duster or low suction hand-held vacuum.
- For lightly soiled fabric, spot-clean with a damp cloth or use a mixture of water and mild fabric detergent.
- For more thorough cleaning, professionally clean ultrasonically or use the injection/extraction dry cleaning method.



ORDERING NOTES

Specify the following information on the order form for each shading:

- Width and height measurements.
- Fabric color number and name.
- Mounting style — inside (IB) mount, outside (OB) mount or end (EB) mount.
- Specify side-by-side vane alignment for shadings of the same fabric style, color, vane size, opacity and height.
- Spacer blocks or extension brackets if needed for added clearance.
- Left- or right-side motor assembly (even if ordering external eye).
- Number of Platinum remotes or wireless wall switches desired (at least one required per order).
- If ordering external eye, specify length: 20", 4' or 8'.
- If ordering satellite battery pack, specify length: 15", 4', 10' or 20'.
- External battery pack or transformer required for shadings less than 17" in width.
- If ordering DC power supply, specify length: 15", 4', 10' or 20'.
- If daisy-chain cables are required to daisy-chain up to three shadings (requires DC power supply), specify length: 15", 4', 10' or 20'.

ENERGY EFFICIENCY

R-value measured with low-e double glazing; solar heat gain coefficient measured with standard double glazing.

R-Value

- Semi-opaque: 3.93
- Room darkening: 3.95

Solar Heat Gain Coefficient

- Semi-opaque: 0.35
- Room darkening: 0.24

Ultraviolet Ray Blockage

- Opened vanes: up to 86%
- Closed vanes: 99%

EXCLUSIONS

- Two-On-One Headrail.
- Hold-down brackets.

LIFETIME GUARANTEE

- The Hunter Douglas Lifetime Guarantee is an expression of our desire to provide a thoroughly satisfying experience for your customers when selecting, purchasing and living with Hunter Douglas window fashion products. If customers are not completely satisfied, they may contact you or call Hunter Douglas at 1-888-501-8364.
- Pirouette® PowerRise 2.0 systems are covered for 5 years from the date of purchase.



INNOVATIVE OPENINGS INC.
Window Covering and Shading Solutions

3 DENVER AREA SHOWROOMS:

Boulder Louisville Centennial
1672 30th St. 667 S. Pierce Ave. 7255 S. Havana

SHOP AT HOME SERVICE: 303.665.1305

Castle Rock-Fort Collins • Summit County • Vail • Aspen

www.innovativeopenings.com