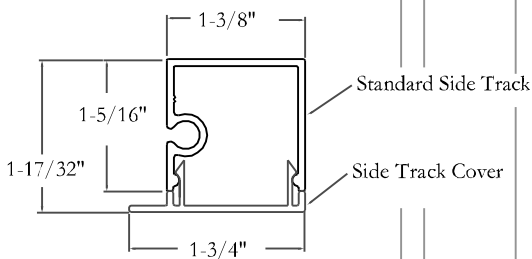


# EXECUTIVE DESIGN SPECIFICATIONS - MANUAL SYSTEM WITH STANDARD SIDE TRACK (V2A) (External Assembled View)

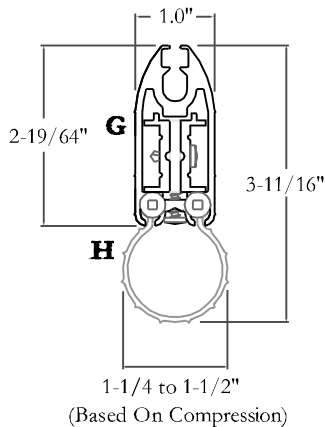
FOR ILLUSTRATION PURPOSES - NOT DRAWN TO SCALE

## Parts Spec

- A Housing Assembly:  
( 5-1/2"W x 5-1/2"H )
- B #8 x 1" Corrosion Resistant Fastener (Color Matched)  
3 Fasteners per End Cap
- C PVC Coated Fiberglass Mesh  
or other - see Mesh Specifications
- D Standard Side Track (V2A) c/w Cover (1-3/4" W x 1-17/32" D)
- E #8 or #10 Corrosion Resistant Fastener  
Type and length of screws may  
vary depending on type of mounting surface
- F Slide Bar c/w Probe Assembly
- G Bottom Seal - 4" Shown (Other Options Available)

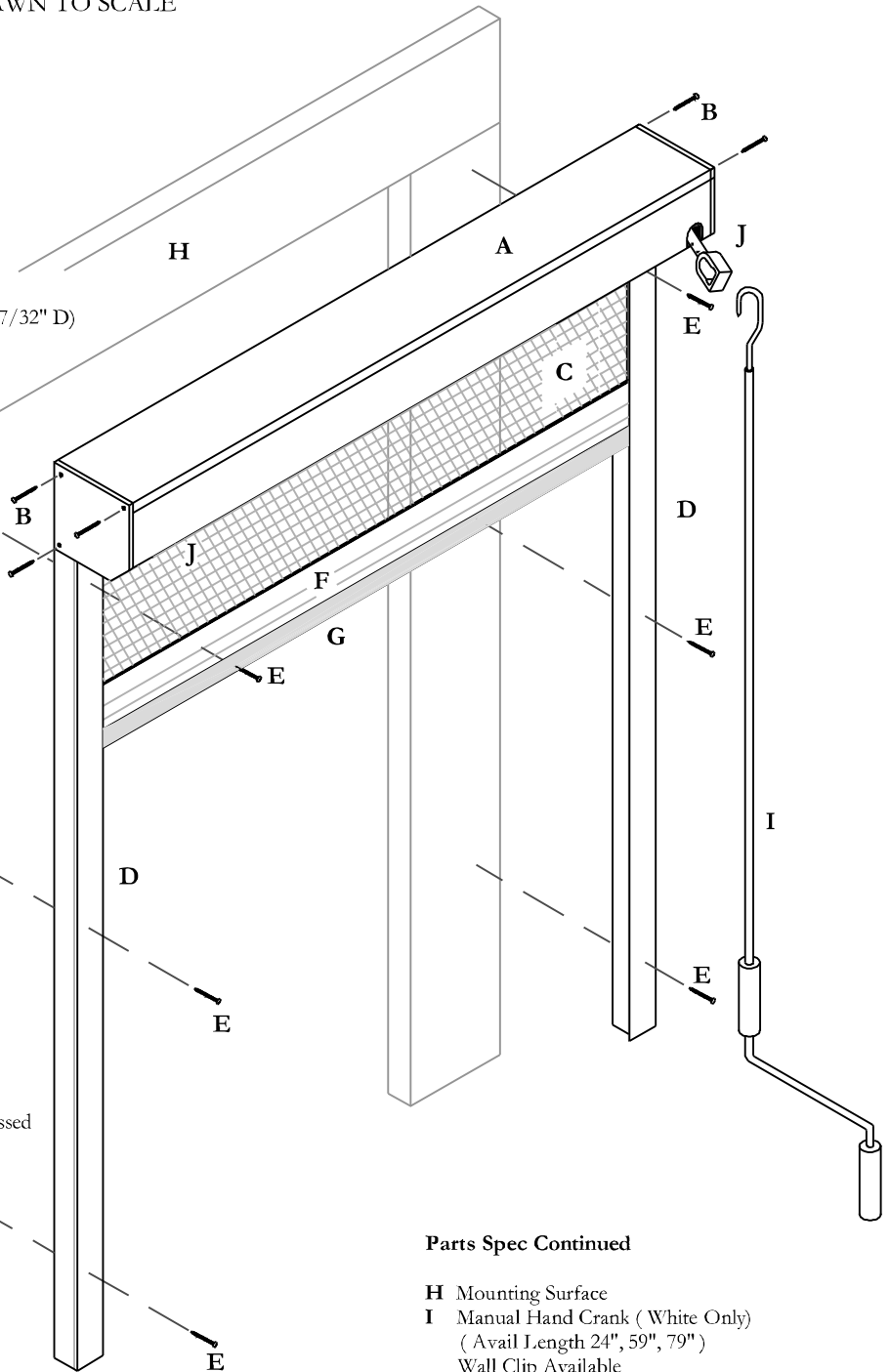


**CROSS SECTIONAL VIEW  
OF THE  
STANDARD SIDE TRACK (V2A)**



**CROSS SECTIONAL VIEW  
OF THE  
SLIDE BAR AND  
4" BOTTOM SEAL**

(Overall Height Of The  
Slide Bar And Bottom  
Seal In A "Non-Compressed  
State")



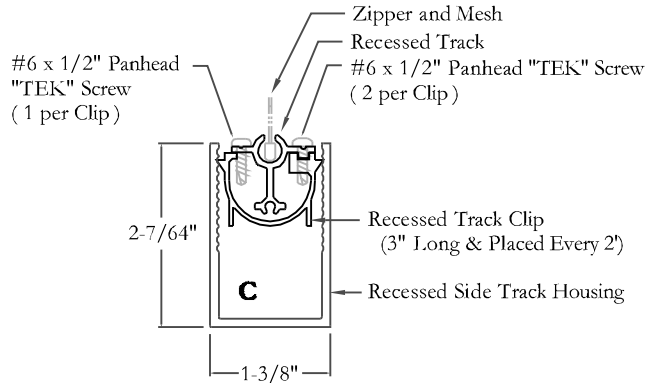
## Parts Spec Continued

- H Mounting Surface
- I Manual Hand Crank ( White Only )  
( Avail Length 24" , 59" , 79" )  
Wall Clip Available
- J Eye and Shaft for 11/1 Manual Gear  
Right Hand Mount Shown (Standard)  
Left Hand Mount Option Available

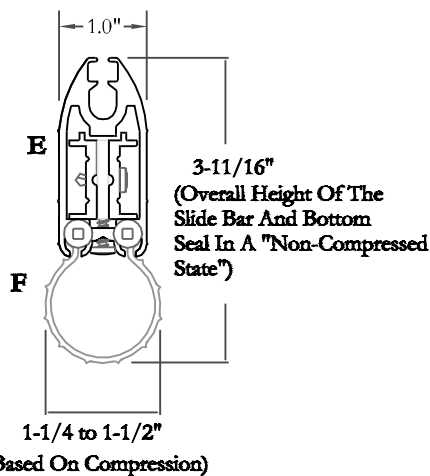
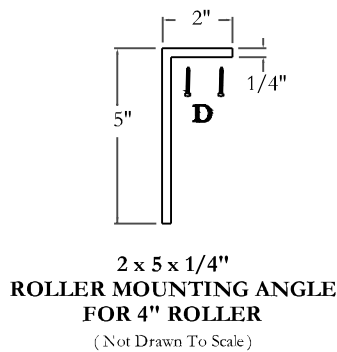
# Executive Design Specifications- System With Recessed Side Track

## (External Assembled View)

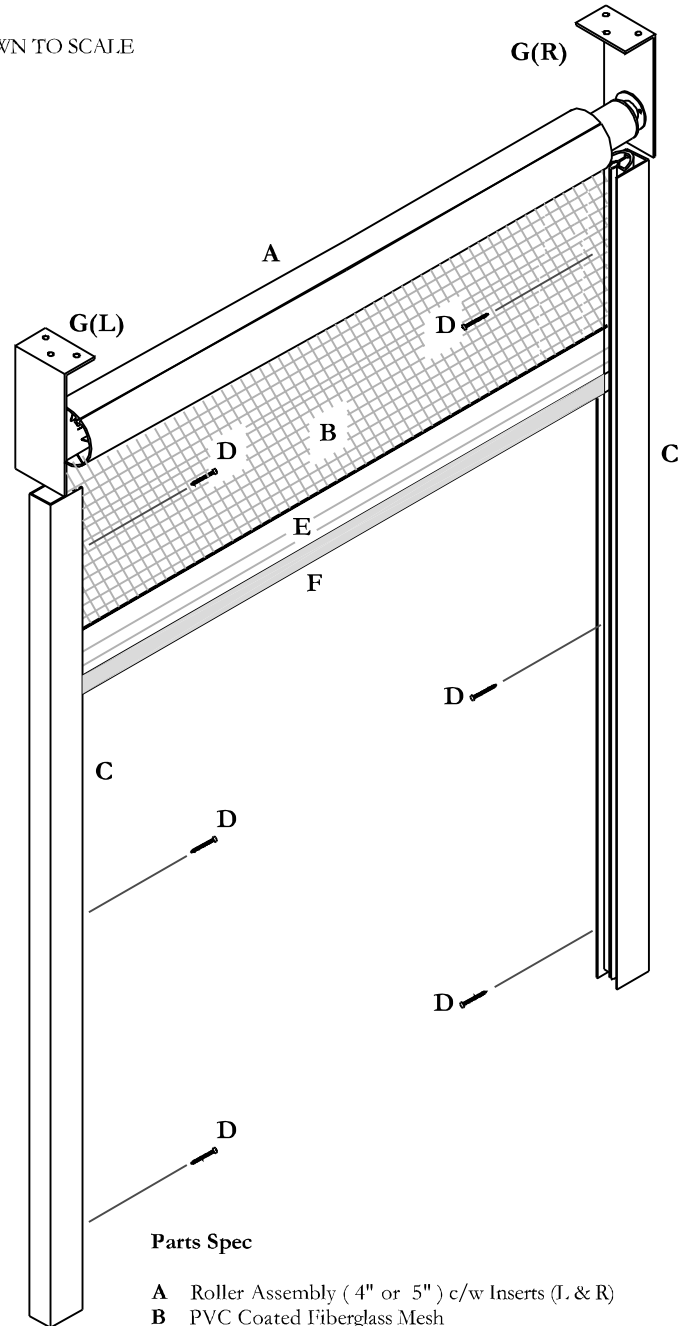
FOR ILLUSTRATION PURPOSES ONLY - ONLY CROSS SECTIONS DRAWN TO SCALE



**CROSS SECTIONAL VIEW  
OF THE FULLY ASSEMBLED  
RECESSED SIDE TRACK (V3)**



**CROSS SECTIONAL VIEW  
OF THE  
SLIDE BAR AND  
4" BOTTOM SEAL**



**Parts Spec**

- A Roller Assembly ( 4" or 5" ) c/w Inserts (L. & R)
- B PVC Coated Fiberglass Mesh or other - see Mesh Specifications
- C Recessed Side Track Assembly (1-3/8"W x 2-7/64"D)
- D #8 or #10 Corrosion Resistant Fastener  
Type and length of screws may vary depending on type of mounting surface  
(Minimum of 3 per Side Track and Roller Mounting Angle)
- E Slide Bar c/w Probe Assembly
- F Bottom Seal - 4" Shown (Other options available)
- G Roller Mounting Bracket ( 2" x 5" x 1/4" x 3-1/4" W )

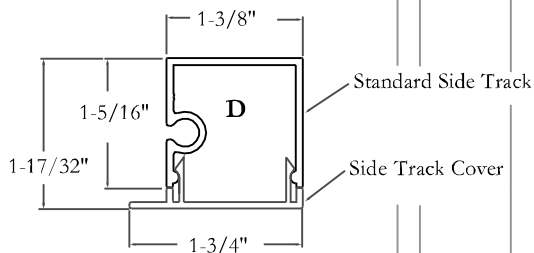
# Executive Design Specifications- System With Standard Side Track

## (External Assembled View)

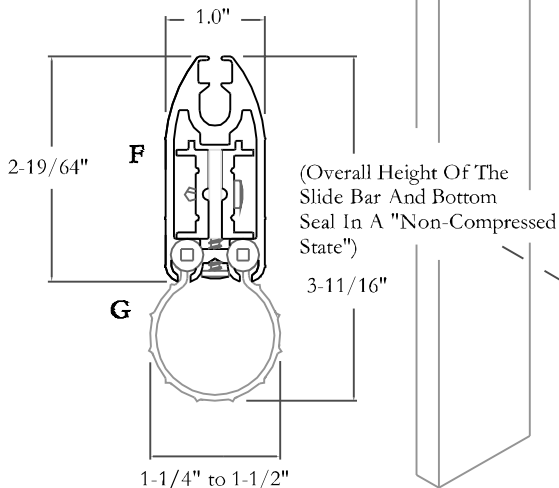
FOR ILLUSTRATION PURPOSES - ONLY CROSS SECTIONS DRAWN TO SCALE

### Parts Spec

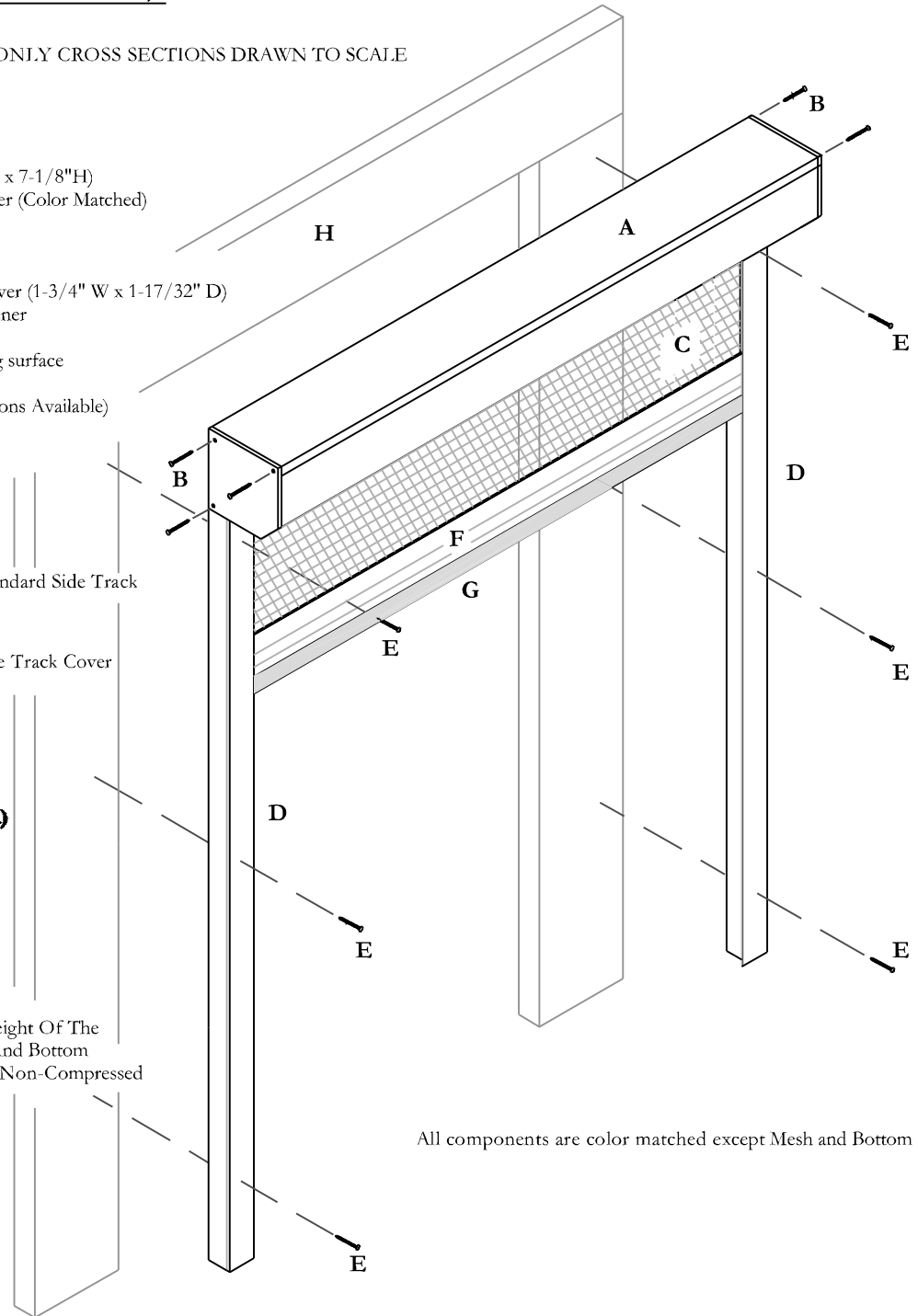
- A Housing Assembly:  
(5-1/2"W x 5-1/2"H or 7-1/8"W x 7-1/8"H)
- B #8 x 1" Corrosion Resistant Fastener (Color Matched)  
3 Fasteners per End Cap
- C PVC Coated Fiberglass Mesh  
or other - see Mesh Specifications
- D Standard Side Track (V2A) c/w Cover (1-3/4" W x 1-17/32" D)
- E #8 or #10 Corrosion Resistant Fastener  
Type and length of screws may  
vary depending on type of mounting surface
- F Slide Bar c/w Probe Assembly
- G Bottom Seal - 4" Shown (Other Options Available)
- H Mounting Surface



**CROSS SECTIONAL VIEW  
OF THE  
STANDARD SIDE TRACK (V2A)**



**CROSS SECTIONAL VIEW  
OF THE SLIDE BAR AND  
4" BOTTOM SEAL.**



All components are color matched except Mesh and Bottom Seal.