

HunterDouglas



PIROUETTE®
Window Shadings

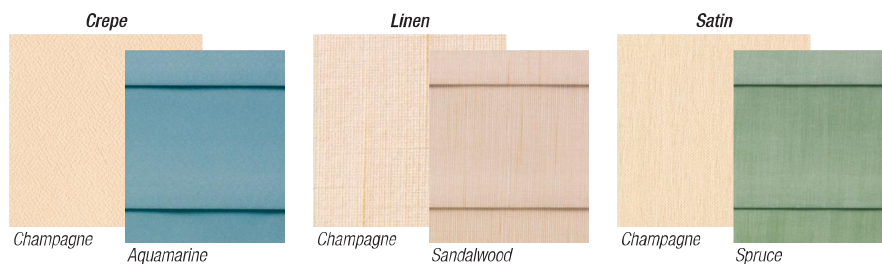
EXPLAINED



A Closer Look

- Unique design — soft horizontal fabric vanes attached to a single sheer backing allow for enhanced views to the outside and full beauty of the fabric appearance to the inside.
- Innovative operation — the revolutionary Invisi-Lift™ system suspends the shading's soft vanes for variable light control.
- Versatile functionality — a single operating cord, hand-held Platinum™ remote or wireless wall switch allows shadings to be closed for privacy, adjusted for precise light control and view-through, or completely open by retracting into the headrail.
- Ultimate flexibility — flatten the vanes for a smooth, more contemporary finish, slightly raise the vanes for a gentle contoured look, or fully open the vanes to provide a clear view to the outside.
- Ultraviolet protection — the sheer backing reduces glare and filters harmful UV rays; blocking up to 86% of rays when vanes are open and up to 99% when closed.
- Countless choices — three fabrics, two vane sizes and a stylish color palette of 44 options, all available in semi-opaque or room-darkening opacities.
- Combines the personality of a classic fabric shade with the ability to control light in an entirely new way.
- Three beautifully textured fabric styles — Crepe, Linen and Satin — and 44 color options.

A remarkable combination of both fashion and function.

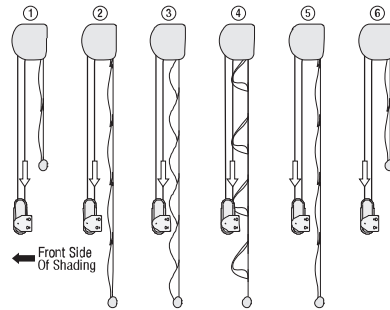


- Semi-opaque and room-darkening fabrics in two vane sizes, 4" Petite and 5" Grande.
- Widths and heights up to 120".
- Standard fabric-covered headrail and bottom rail create a unified look from top to bottom.
- Color-coordinated hardware and cords.
- Choice of three proven lifting systems as well as the Two-On-One Headrail and specialty shape design options.

Pirouette® Lifting Systems



EasyRise



EasyRise™ Operation:

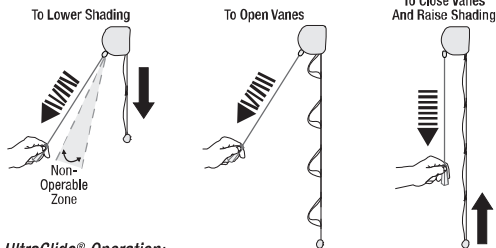
Pull down on the rear cord of the cord loop to lower the shading (1, 2).

In the fully lowered position, continue to pull on the rear cord to open the vanes (3, 4).

Pull on the front cord to close the vanes and raise the shading (5, 6).



UltraGlide



UltraGlide® Operation:

Pump the cord out at an angle greater than 25° using short strokes.

Continue to pull out on the cord at an angle greater than 25°.

Pump the cord straight down using short strokes.

Note: UltraGlide operation on Pirouette window shadings is different than on other UltraGlide products. The cord is pulled straight down and out, rather than at an angle across the shading. This is to protect the vanes from being damaged by the cord.



PowerRise 2.0

PowerRise® 2.0 with Platinum™ Technology Operation:

Operate shadings with the touch of a button. No wiring is needed.

A sleek, hand-held Platinum remote or wireless wall switch controls shadings. The motor raises and lowers the shadings quietly, as well as allows precise control of vane operation for just the right amount of privacy and view-through.

Shadings may be operated individually or in groups, and can even be integrated into any home automation system. And because there are no operating cords, motorized Pirouette shadings provide enhanced child and pet safety.

Pirouette® Applications And Options



Standard Rectangular Shadings



Two-On-One Headrail (available with both the EasyRise™ and UltraGlide® lifting systems)

Specialty Shape Design Options

- Available in any fabric, vane size, opacity and color.
- All specialty shapes are non-operable and will be in the closed, contoured position.
- Most shapes can be ordered without a template.

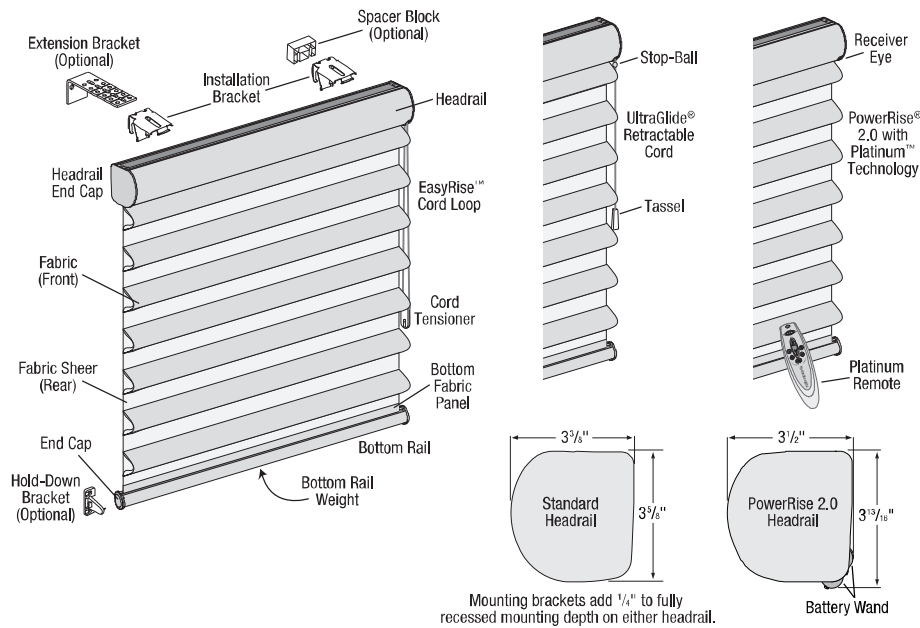
Note: *If the specialty shape window is not perfectly “true” or even in shape due to structural irregularities, providing a template is recommended to avoid having to trim product in the home.*



Specialty Shapes

It is important to have an understanding of
the **basic design**

The product consists of a face fabric, semi-opaque or room-darkening liner, and a sheer rear fabric. When fully lowered, the face fabric can be opened to form vanes and allow view through the sheer fabric.



Vane Size Comparison:
Shown here is a vane comparison of the 4" Petite and 5" Grande in the open vane position. For a consumer choosing between the two vane sizes it is really a matter of personal preference.

The distance between each vane on a 5" shading is wider than on a 4" shading; however, the vane itself is also larger. Therefore, the overall percentage of view-through is comparable on both vane sizes.



INNOVATIVE OPENINGS INC
Window Covering and Shading Solutions

3 DENVER AREA SHOWROOMS:
Boulder Louisville Centennial
1672 30th St. 667 S. Pierce Ave. 7255 S. Havana

SHOP AT HOME SERVICE: 303.665.1305
Castle Rock-Fort Collins • Summit County • Vail • Aspen
www.innovativeopenings.com