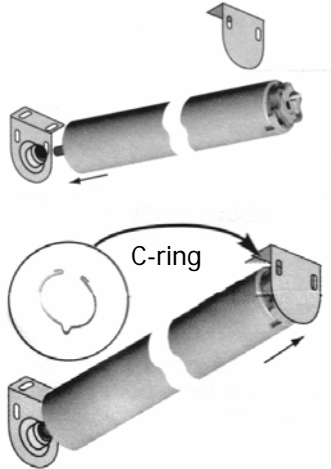


INSTALLATION INSTRUCTIONS

Insolroll Radiance Motorized Shade (1 of 2)

1. Determine and mark proper bracket locations (Outside bracket width is shade order width).
2. Mount motor and idler brackets with #14 screws (not provided) at the appropriate bracket to bracket dimension. It is important that the brackets are level for proper operation of the shade. For coupled shades measure and mark to centerline of coupler brackets (see #5-7 special instructions).
3. Insert the spring loaded idler end of the tube into bearing on idler bracket making sure to fully engage spring and push in. Maneuver motor into motor mount ensuring the limit switches are accessible and the motor wire does not interfere with the shade operation. Radio motors have programmable limits. (Secure motor with C-shaped motor ring).

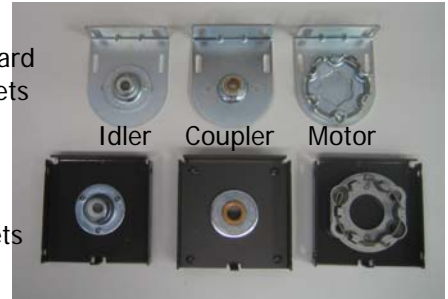


4. Set the limits on the motor (see attached instructions).
5. **Special Coupler Instructions.** Always start with motor shade panel. Slide coupler bracket on coupler insert (Bracket is labeled on which side faces motor). Place motor into motor bracket. (note limit switch accessibility) Line up coupler bracket at centerline mark (see #2) and mount bracket and shade to wall. Check dimension from outside motor bracket to center of coupler bracket.
6. Repeat process for additional coupler brackets. Make sure that white locating marks on black coupler inserts line up when installing the each additional shade panel. Alignment of locating marks is necessary for shade panels to line up.
7. To mount the last shade panel (Shade with Spring Idler), Place spring end into ball on idler bracket, depress spring completely, line up white dots and male and female coupler and insert into brackets.
8. Secure motor with C-shaped motor ring.



Motorized shade with universal wall or ceiling brackets.

Standard Brackets



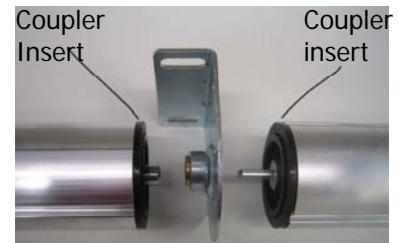
Idler

Coupler

Motor

Fascia Brackets

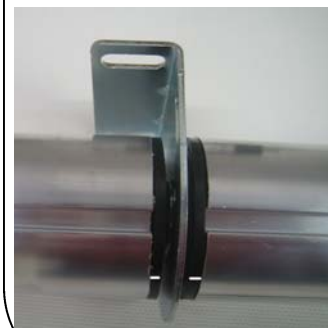
Special Coupler Instructions



Face toward Idler bracket

Coupler bracket

Face toward Motor bracket



Line up white dots on black coupler inserts to make sure fabric panels line up.

INSTALLATION INSTRUCTIONS

Insolroll Radiance Motorized Shade (2 of 2)

8. **Motorized Fascia Shades.** Repeat procedures #1-7 installing 4" square fascia brackets (using #10 screws) instead of standard motor brackets. Make sure coupler brackets are mounted with label toward motor side.

9. After shades are completely installed and adjusted, hook the top edge of fascia onto front of brackets and swing fascia onto brackets until it snaps into tang on bottom of bracket.

Trouble Shooting: To adjust shades for telescoping (excessive horizontal movement of fabric while shade rolls up on the tube), roll shade all the way down so tube is exposed (this will require adjustment of the down limit on motor). Sparingly place a small piece of tape on the side of the tube opposite of the direction the fabric is moving toward. Run the shade up. If shade still telescopes, repeat the process. The correct amount of tape can only be determined by trial and error. Re-set the down limit after shade adjustments are made.

OPERATION AND CARE INSTRUCTIONS

A. **Operation of Motorized Shades.** To open shade or close via wall switch or remote control, user should have line of sight of shades being operated. User should make sure the shades do not come into contact with any obstruction.

B. If any shade binds up or hits an obstruction, the shade operation should be switched off immediately.

C. Motors should not require any lubrication.

D. If motor ceases to work, electrician is required to insure that problem does not exist with wiring. (If motor overheats, thermal overload will activate shutting off motor until it cools down. Motor will return to normal operation after it cools down.)

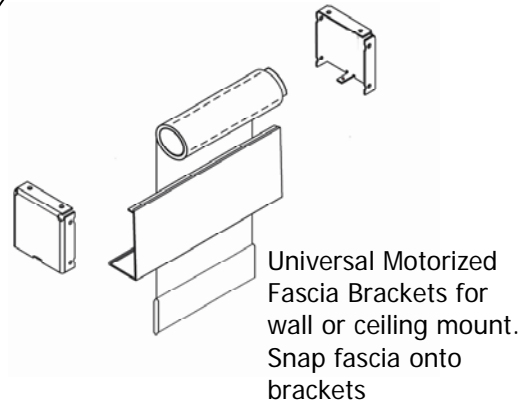
E. **Care of Shade Fabric.** Before trying any cleaning method on entire shade, test for color fastness on a part of the shade that is not visible. Blackout fabrics may require different cleaning instructions.

F. Consult your dealer for specifics. For most dirt and dust, use cold water and a mild detergent. Rub gently with a clean cloth.

G. For stains, use 409 and a clean cloth.



Fascia Installations:
Follow motorized shade instructions 1-7 substituting fascia brackets for standard



Universal Motorized Fascia Brackets for wall or ceiling mount. Snap fascia onto brackets



INSOLROLL INC.
WINDOW SHADING SYSTEMS

637 S. Pierce Ave., Louisville, CO 80027 USA
TEL 800.447.5534 • 303.665.1207
FAX 303.665.1209 • www.insolroll.com