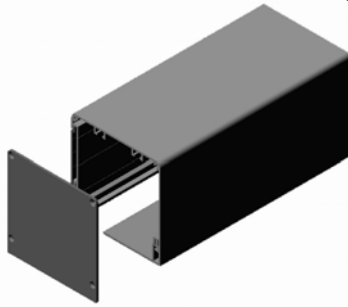


# INSTALLATION INSTRUCTIONS

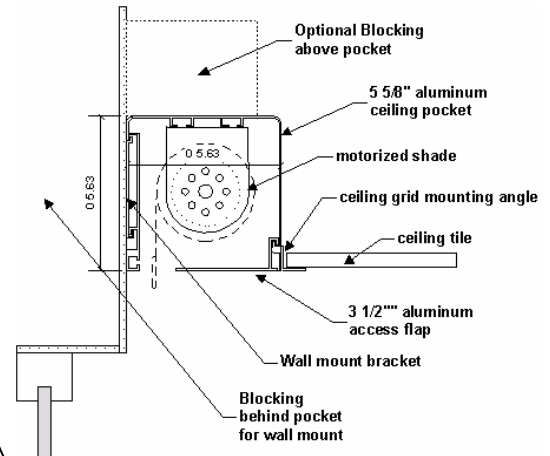
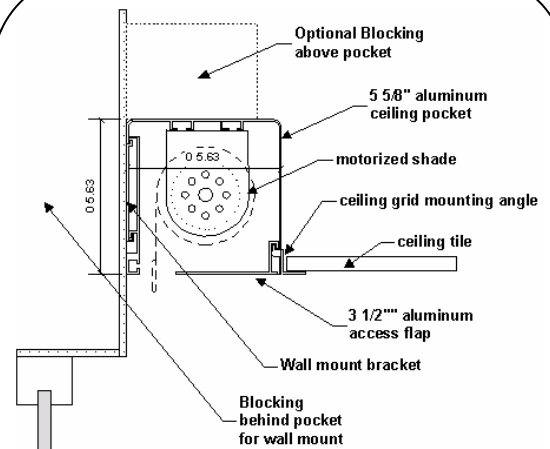
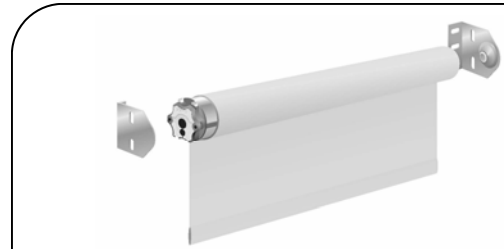
## Insolroll Radiance Motorized Shade with 5 5/8" Pocket

Insolroll Shade Pocket and Motorized Shades are sent unassembled.



- Assemble pocket.**
- Slide 2 @ 1/4-#20 x 1/2" bolts (provided) to mount motor brackets into bolt slot for each motor bracket required. One piece of pocket can have several motorized shades.
- Place motor brackets on on bolts, slide bracket to desired width, and tighten with locking nuts (provided).
- Attach end caps to end of pocket extrusion with #10 x 1" flathead screw (provided). *Make sure you don't over-tighten or screw may strip.*
- Determine mounting condition for pocket.
- For ceiling mount application**, pre-drill 2 @ 7/32" holes through top of pocket at both ends and in the middle of units wider than 96". Mount pocket up in to framing / blocking provided by contractor
- For wall mount application**, 2 or 3 wall mount brackets are used to suspend pocket from wall. Locate brackets near each end of pocket and in middle for units wider than 96". Screw bracket to wall (fastener not provided).
- Pre-drill pocket in several locations along lower screw line shown in drawing.
- Place pocket onto wall mount brackets and slide down to secure. On irregular mounting surfaces brackets may need to be loosened and shimmed to enable pocket to slip over bracket. Screw fastener (not provided) though the holes pre-drilled above to permanently lock pocket to wall. If pocket not locked to wall with this screw, pocket could fall if pushed upward.
- Install shade** into mounting brackets. See motorized shade instructions for shade and motor adjustment details.

**Attach bottom access flap.** Slip hook on bottom flap over hook on inside of pocket and let flap slip down into position. Some installations require the bottom access to be permanently attached. Pre-drill 1/8" hole through screw line in bottom access flap and secure with # 10 x 1" pan head screw (not provided).



**INSOLROLL** INC.  
WINDOW SHADING SYSTEMS

637 S. Pierce Ave., Louisville, CO 80027 USA  
TEL 800.447.5534 • 303.665.1207  
FAX 303.665.1209 • www.insolroll.com

